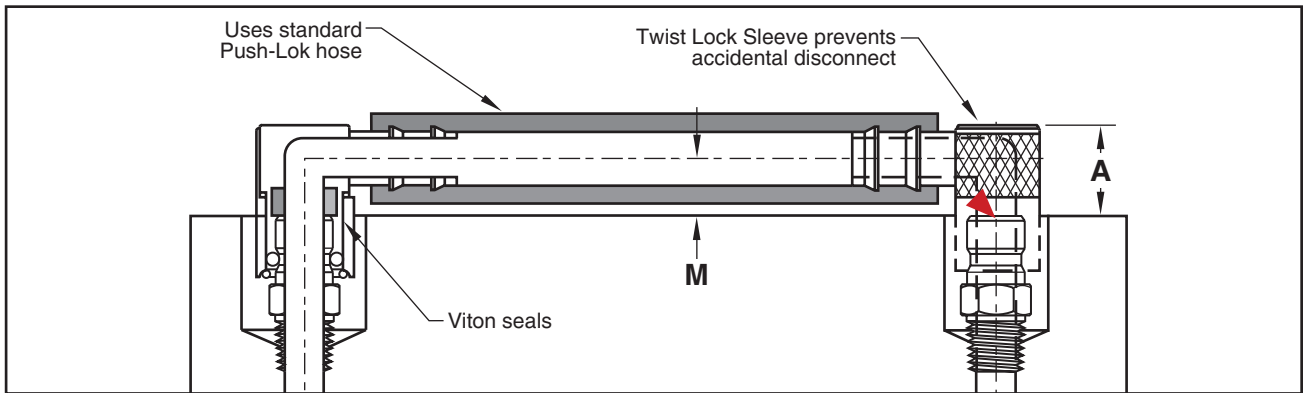
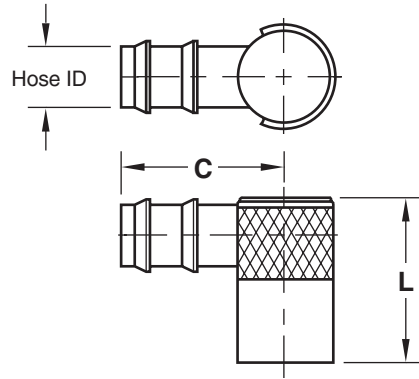
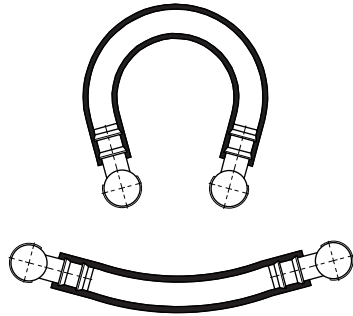
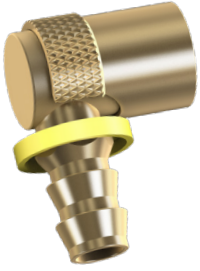


WATER JUMPERS

PUSH-LOK® SERIES



▶ CAD insertion point

M Brass and Stainless Steel

CATALOG NUMBER	FITS PLUG SERIES NUMBER	HOSE I.D.	L	C	M	A
WJ200-25	200	1/4	1	1-1/4	3/8	5/8
WJ200-37	200	3/8	1	1-1/4	3/8	5/8
WJ300-37	300	3/8	1-7/16	1-9/16	1/2	7/8
WJ300-50	300	1/2	1-7/16	1-9/16	1/2	7/8
WJ500-50	500	1/2	2-1/8	1-7/8	7/8	1-3/8
WJ500-75	500	3/4	2-1/8	2	7/8	1-3/8

APPLICATION GUIDELINES

- Maximum temp: 400°F (200°C)