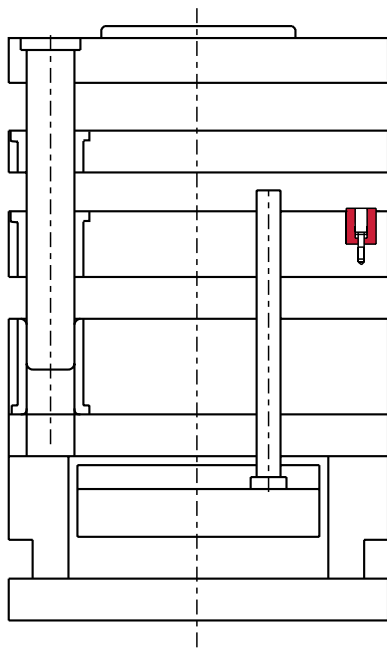


SPRINGS

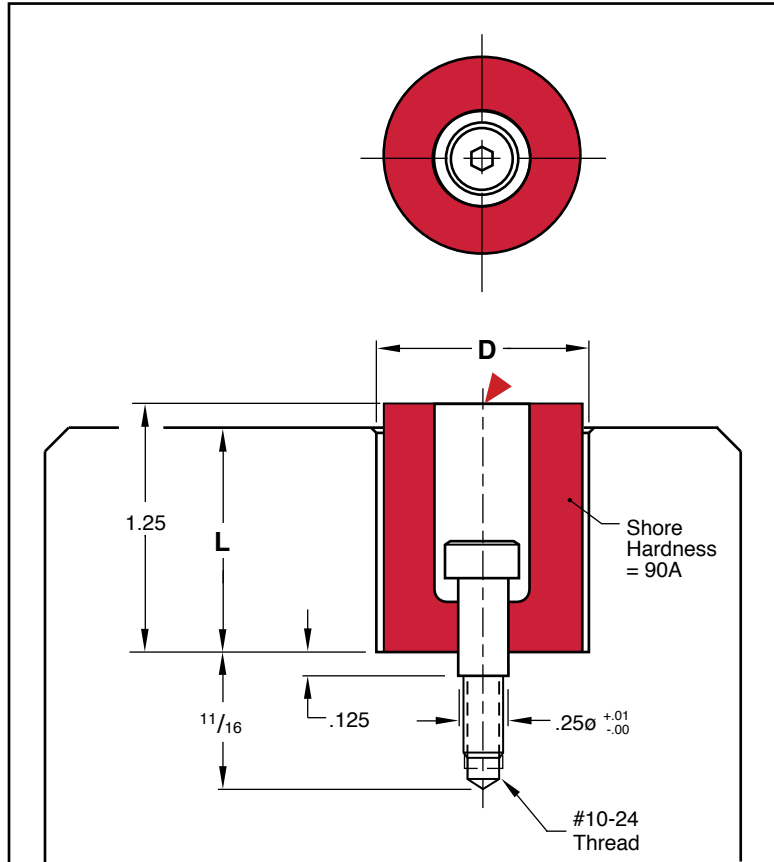
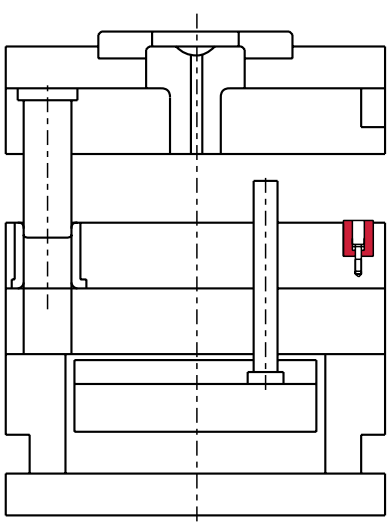
URETHANE SPRINGS



Separate parting lines in sequence



Cushion parting lines



APPLICATION GUIDELINES

- Maximum Mold Temperature: 150°F (65°C)
- Stripper bolt included.

M Solid Urethane

CAD insertion point

DEFLECTION	D	L	APPROXIMATE SPRING PRESSURE
1/8"	1.06	1.12	520 lbs.
1/4"	1.12	1.00	790 lbs.

CATALOG NUMBER	DESCRIPTION
US-100	1" Urethane Spring with 1/4ø x 1/2" SBLT