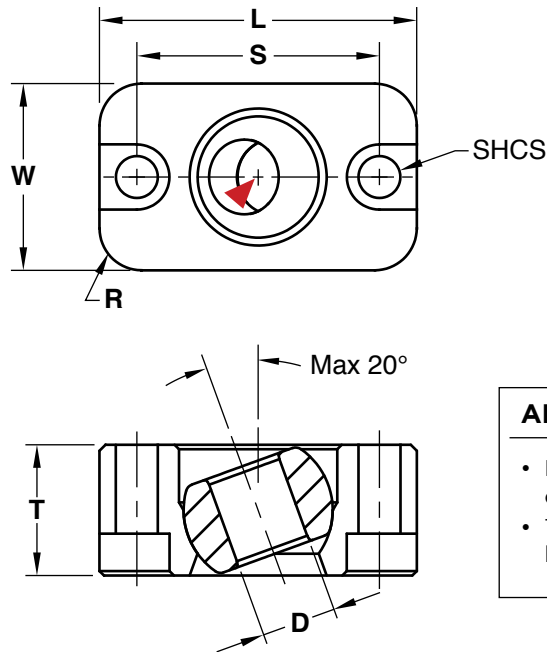
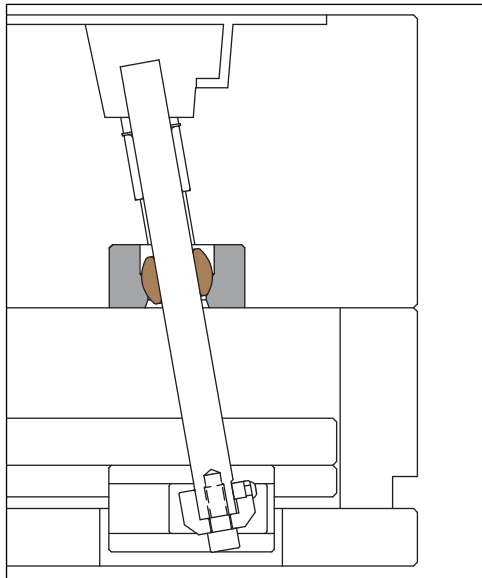




LIFTER ACCESSORIES

SPHERICAL BUSHINGS



APPLICATION GUIDELINES

- Machine pocket with clearance on length and width.
- Tighten bolts after inserting lifter rod.

Housing: **M** 1045 **H** 18-22 HRC

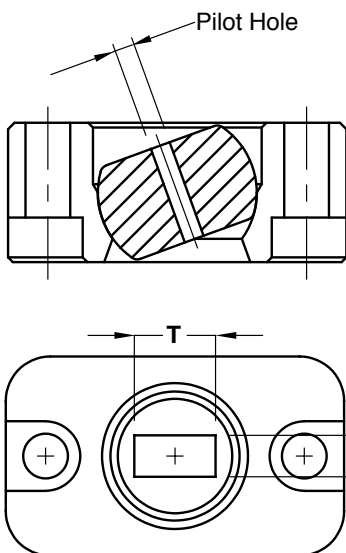
Bushing: **M** C86300 Bronze

▶ CAD insertion point

CATALOG NUMBER	D +.001 -.000	L +.000 -.002	W +.000 -.002	T +.000 -.002	S ±.005	R POCKET RADIUS	SHCS
LSB050	.5005	2.000	1.250	.875	1.500	.250	1/4-20 x 1
LSB063	.6255	2.250	1.500	1.125	1.750	.250	1/4-20 x 1-1/4
LSB075	.7505	2.625	1.750	1.375	2.125	.375	5/16-18 x 1-1/2
LSB100	1.0005	2.875	2.125	1.500	2.375	.375	5/16-18 x 1-3/4
LSB125	1.2505	4.000	2.750	2.000	3.250	.500	3/8-16 x 2-1/4
LSB150	1.5005	4.250	3.000	2.375	3.500	.500	3/8-16 x 2-3/4

Screws included.

BLANK SPHERICAL BUSHINGS



To Order Blanks:

Add "-B" to the end of the part number. Ex: LSB100-B

- Sizes 075-B and smaller have a .23" Pilot Hole.
- Sizes 100-B and larger have a .47" Pilot Hole.

Use the blank bushing to cut alternative core blade sizes. See chart for recommended sizing.

SPHERICAL BUSHING SIZE	LIFTER T X W (MAX)	UNILIFTER SIZE CHART
LSB050	1/2 X 1/2	CBS37X25, CBS50X25, CBS50X50, CBS43D, CBV50X18, CBV50X43, CBMM10D, CBMM10X10
LSB063	5/8 X 5/8	CBV50X62, CBMM15D, CBMM15X15
LSB075	3/4 X 3/4	CBS75X37, CBMM20X10, CBMM20X20
LSB100	1 X 1	CBS100X50, CBS100X100, CBS75D, CBV50X87
LSB125	1-1/4 X 1-1/4	CBS125D, CBV50X112, CBMM30X15
LSB150	1-1/2 X 1-1/2	CBS150X150, CBS150X75, CBS150X100