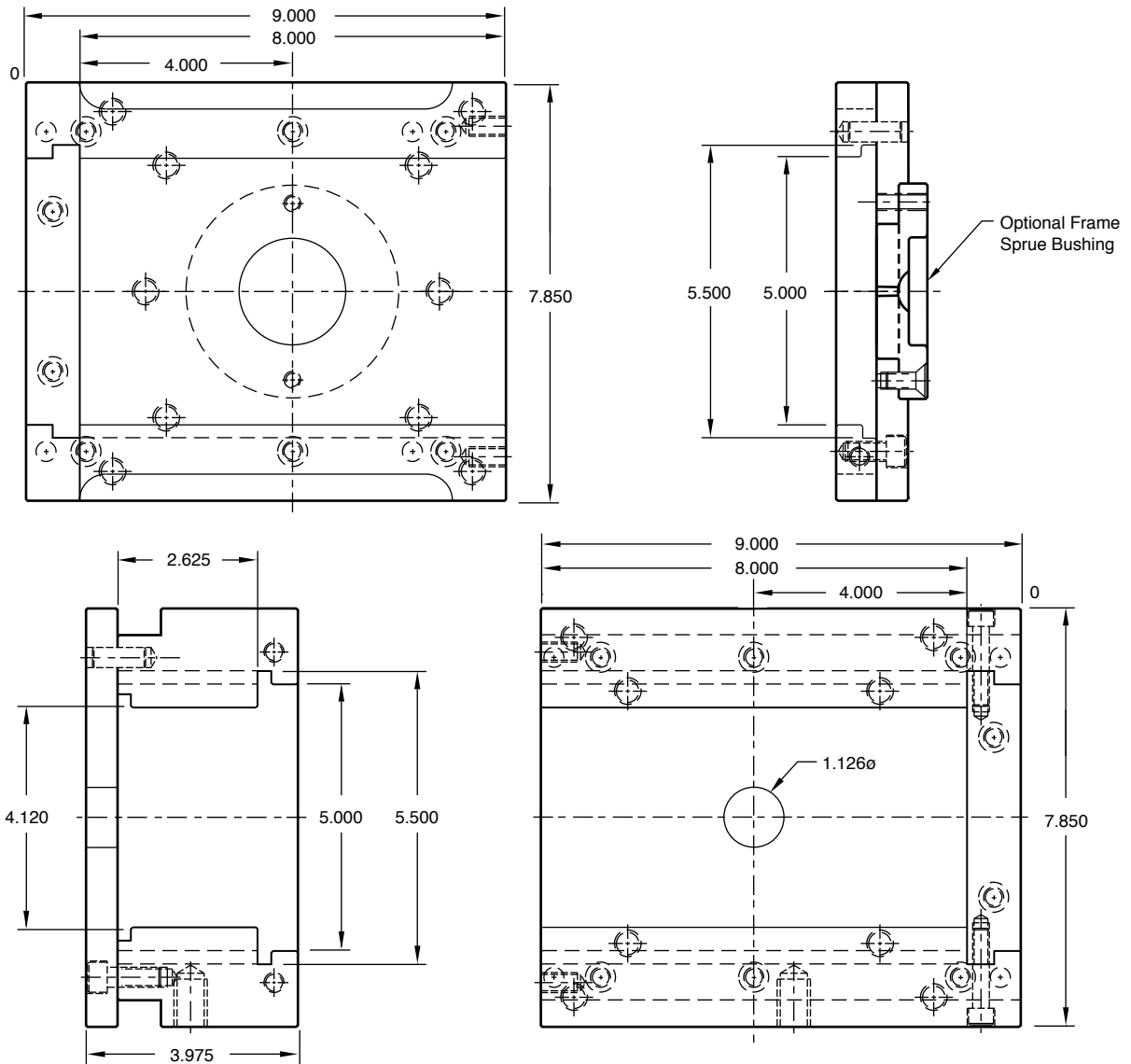


# RTI 08/09 FRAME



Accepts:

- 5 x 8 Solid Units, RTS-0809 on Page L-2
- 5 x 8 Laminated Units, RTL-0809 on Page L-3
- 7.85 x 9 T-Style Units, RTT-0809 on Page L-4



**M** Pre-Hardened Stainless Steel, 32-36 HRC

**Includes:**

- Frame
- Quick Change Clamps (4)

Frame Sprue Bushings are sold separately on page L-21, Sprue Bushings on page B-1, and Locating Rings on B-2.

**To Order:**

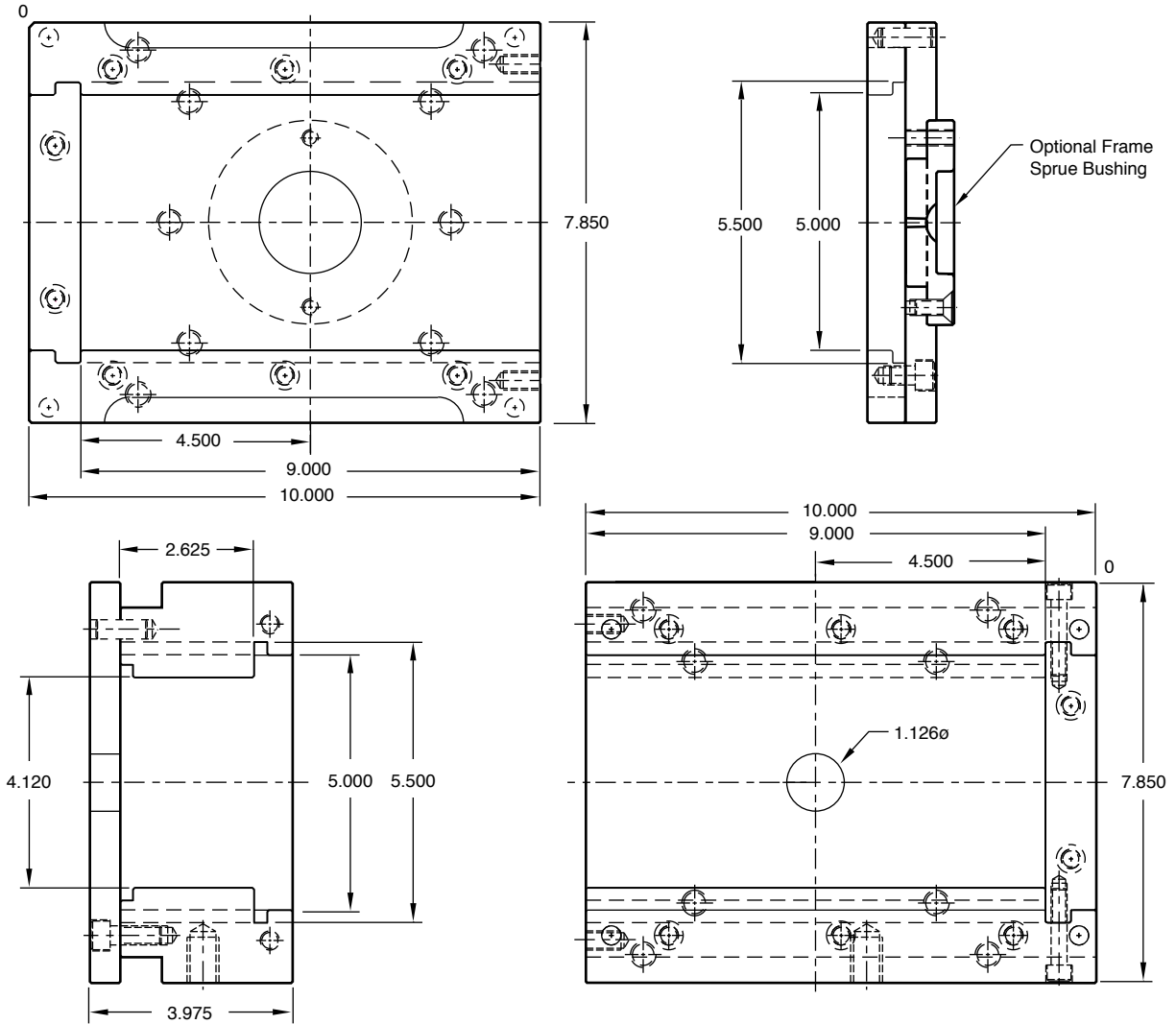
- To order complete frames, specify catalog number: RTF-0809
- To order an A or B half, contact Customer Service.



# RTI 08/10 FRAME

Accepts:

- 5 x 9 Solid Units, RTS-0810 on Page L-5
- 5 x 9 Laminated Units, RTL-0810 on Page L-6
- 7.85 x 9 T-Style Units, RTT-0810 on Page L-7



**M** Pre-Hardened Stainless Steel, 32-36 HRC

**Includes:**

- Frame
- Quick Change Clamps (4)

**To Order:**

- To order complete frames, specify catalog number: RTF-0810
- To order an A or B half, contact Customer Service.

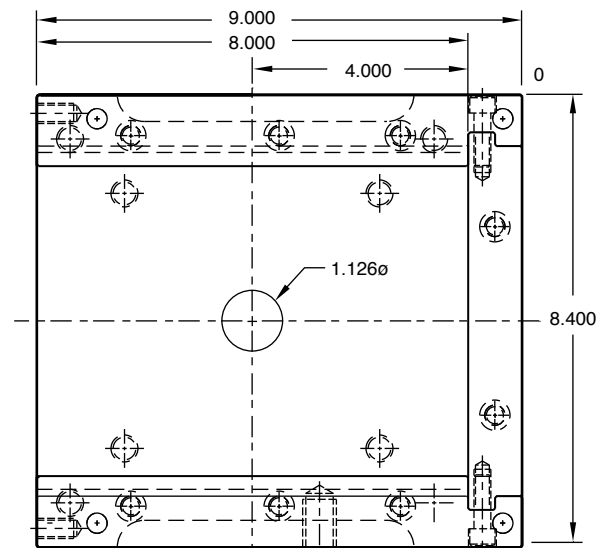
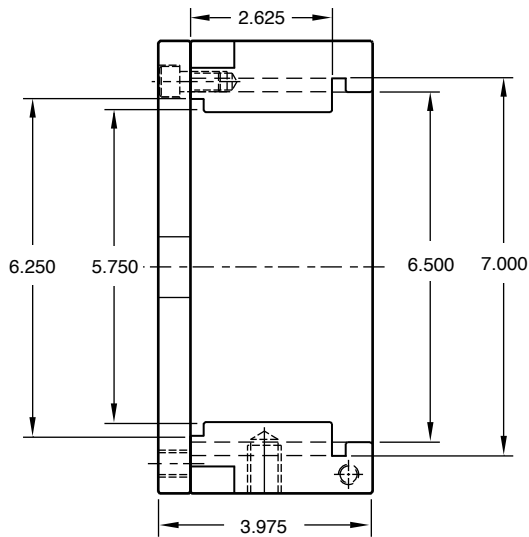
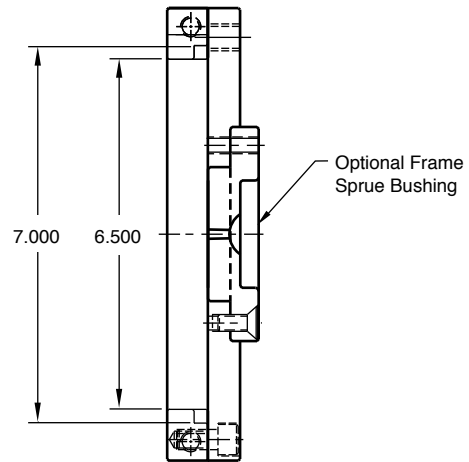
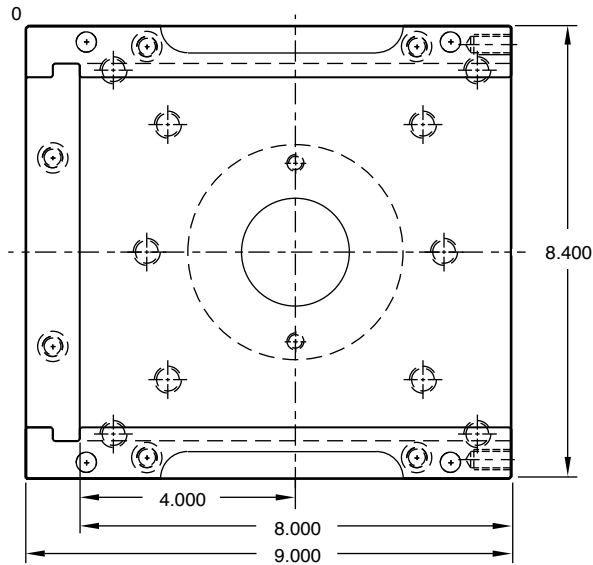
Frame Sprue Bushings are sold separately on page L-21, Sprue Bushings on page B-1, and Locating Rings on B-2.

# RTI 84/90 FRAME



Accepts:

- 6.5 x 8 Solid Units, RTS-8490 on Page L-8
- 6.5 x 8 Laminated Units, RTL-8490 on Page L-9
- 8.4 x 9 T-Style Units, RTT-8490 on Page L-10



**M** Pre-Hardened Stainless Steel, 32-36 HRC

**Includes:**

- Frame
- Quick Change Clamps (4)

Frame Sprue Bushings are sold separately on page L-21, Sprue Bushings on page B-1, and Locating Rings on B-2.

**To Order:**

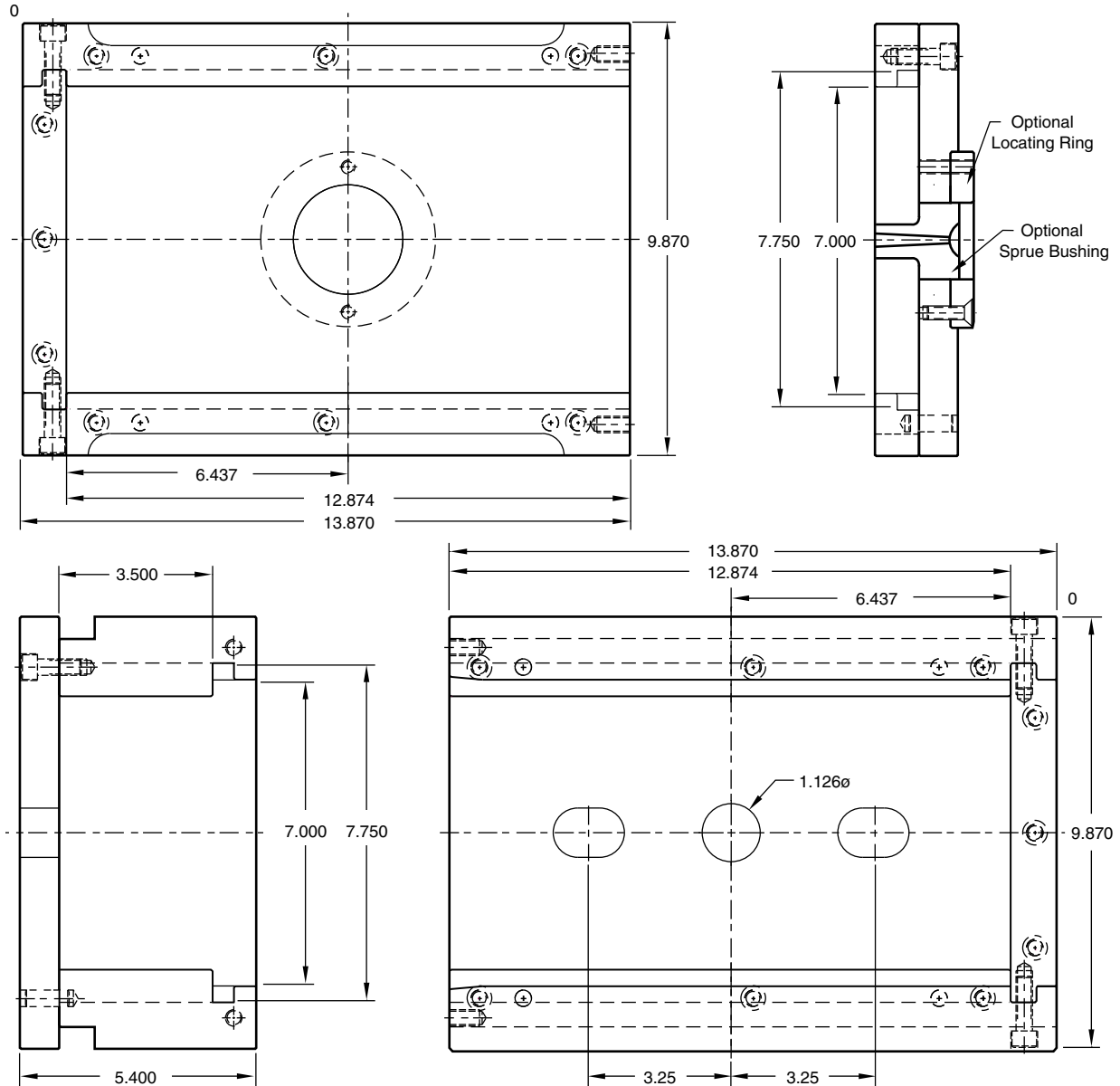
- To order complete frames, specify catalog number: RTF-8490
- To order an A or B half, contact Customer Service.



# RTI 10/14 FRAME

Accepts:

- 7 x 12.9 Solid Units, RTS-1014 on Page L-11
- 7 x 12.9 Laminated Units, RTL-1014 on Page L-12



**M** Pre-Hardened Stainless Steel, 32-36 HRC

**Includes:**

- Frame
- Quick Change Clamps (4)

Frame Sprue Bushings are sold separately on page L-21, Sprue Bushings on page B-1, and Locating Rings on B-2.

**To Order:**

- To order complete frames, specify catalog number: RTF-1014
- To order an A or B half, contact Customer Service.