



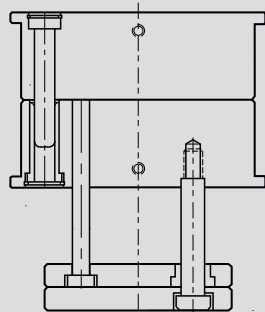
RAPID TOOLING INSERTS®



ALTERNATIVE CONFIGURATIONS AVAILABLE

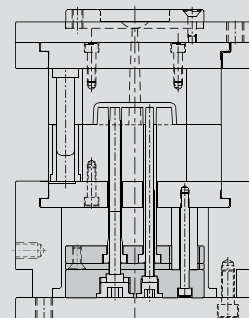
Guide Pins and Bushings:

Rapid Tooling Inserts can include Guide Pins and Bushings and Return Pins at standard Progressive locations or modified to suit your application. See individual pages for more details.



Sleeve Ejector Plate Systems:

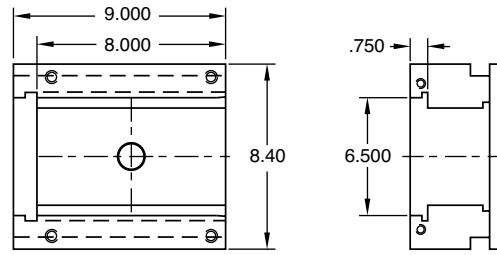
Available as an option on all Rapid Tooling Inserts, Sleeve Ejector Plates allow mold makers to install standard or Thin-Wall Sleeves. See individual pages for more details.



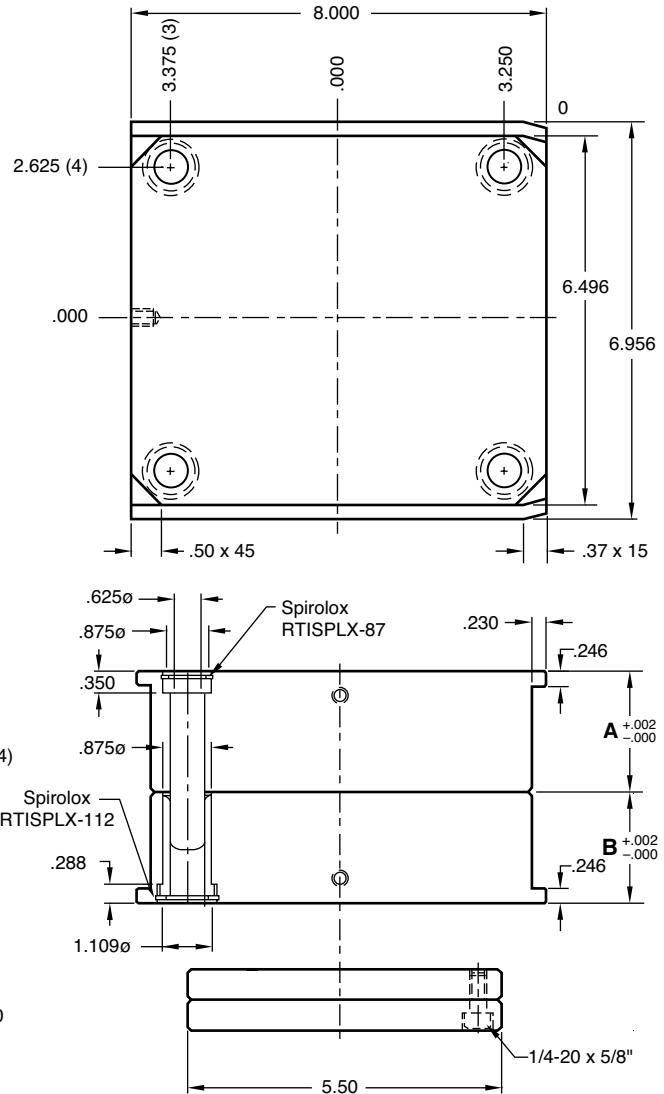
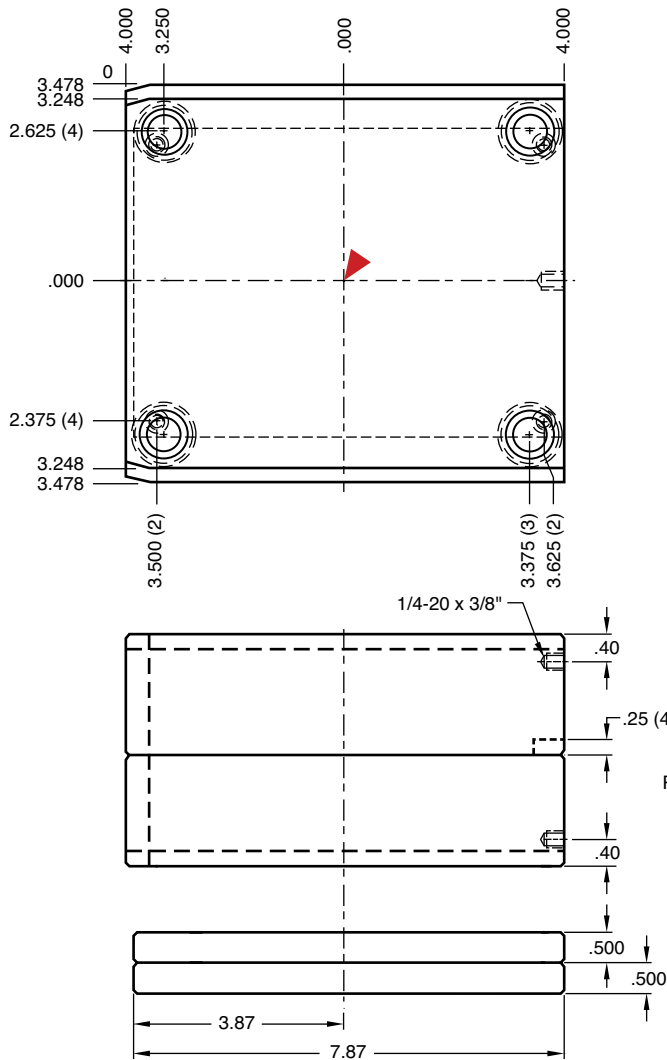
RTI® 84/90 SERIES

The following inserts are used with frame 84/90:

- 6.5 x 8 Solid
- 6.5 x 8 Laminated
- 8.4 x 9 T-Style



6.5 X 8 SOLID



To Order:

Specify the catalog number at right. Includes Leader Pins, Bushings, all screws, and mold strap/thumb screws.

ALTERNATIVE CONFIGURATIONS AVAILABLE

- With Sleeve Ejector Plates and all components and the extra plate, specify the catalog number at right with "-SEP" as the suffix. Ex. RTS8490-1818-SEP.
- With Guide Pins and Bushings (2) and Return Pins (4) machined and included, specify the catalog number at right with "-RPGPB" as the suffix. Refer to page L-13 for the default locations. Ex. RTS8490-1818-RPGPB.

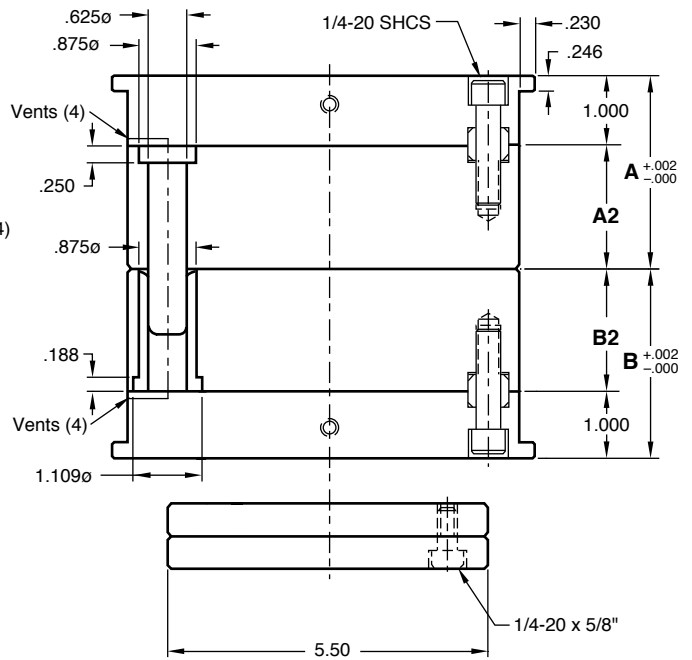
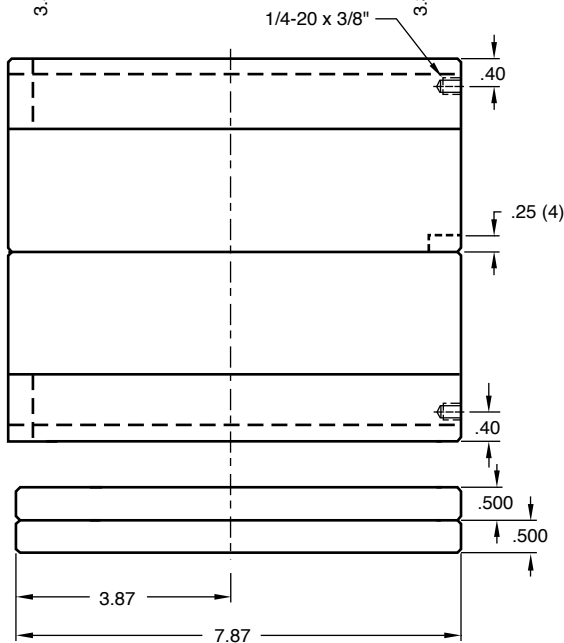
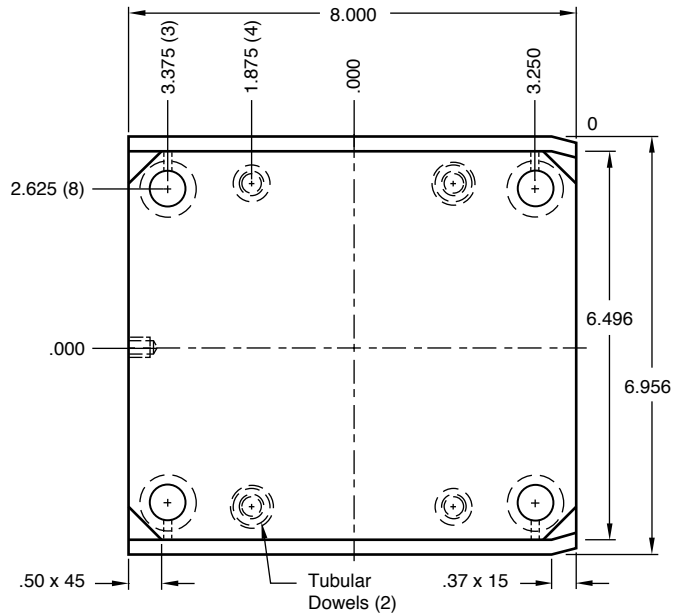
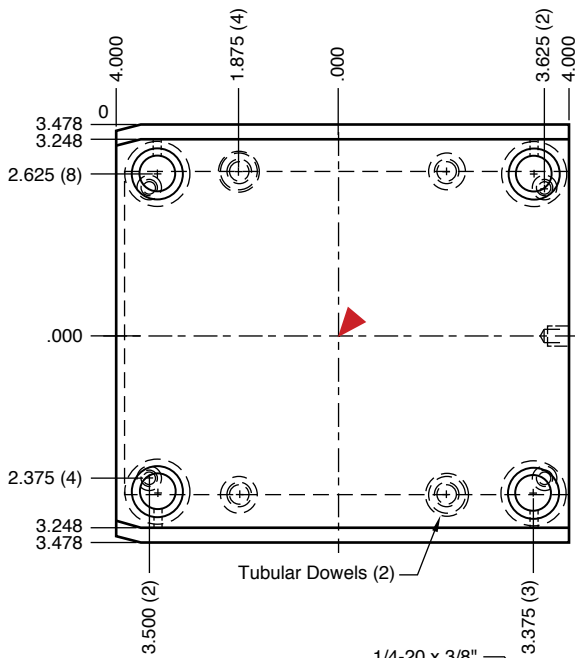
M All plates are P-20 Pre-Hard

CATALOG NUMBER	A	B
RTS8490-1818	1.876	1.876
RTS8490-2323	2.376	2.376

CAD insertion point



RTI® 84/90 SERIES
6.5 X 8 LAMINATED



To Order:

Specify the catalog number at right. Includes Leader Pins, Bushings, all screws, and mold strap/thumb screws.

ALTERNATIVE CONFIGURATIONS AVAILABLE

- With Sleeve Ejector Plates and all components and the extra plate, specify the catalog number at right with "-SEP" as the suffix. Ex. RTL8490-1818-SEP.
- With Guide Pins and Bushings (2) and Return Pins (4) machined and included, specify the catalog number at right with "-RPGPB" as the suffix. Refer to page L-13 for the default locations. Ex. RTL8490-1818-RPGPB.

M All plates are P-20 Pre-Hard

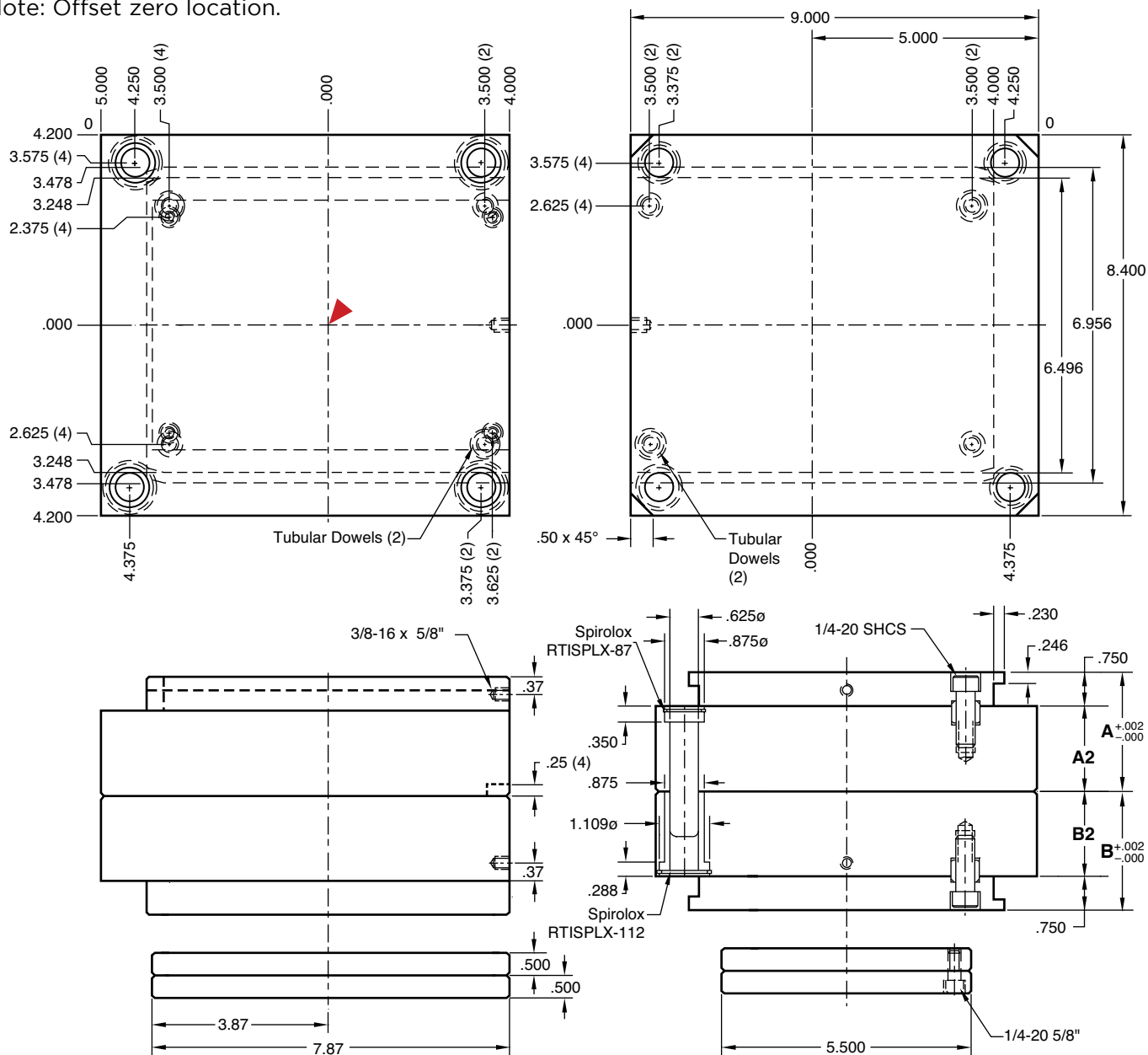
CATALOG NUMBER	A	A2	B	B2
RTL8490-1818	1.876	.876	1.876	.876
RTL8490-2323	2.376	1.376	2.376	1.376

▶ CAD insertion point

RTI® 84/90 SERIES

8.4 X 9 T-STYLE

Note: Offset zero location.



To Order:
Specify the catalog number at right. Includes Leader Pins, Bushings, Screws, and MS65 Mold Strap and Screws.

ALTERNATIVE CONFIGURATIONS AVAILABLE

- With Sleeve Ejector Plates and all components and the extra plate, specify the catalog number at right with "-SEP" as the suffix. Ex. RTT8490-2020-SEP.
- With Guide Pins and Bushings (2) and Return Pins (4) machined and included, specify the catalog number at right with "-RPGPB" as the suffix. Refer to page L-13 for the default locations. Ex. RTT8490-2020-RPGPB.

M All plates are P-20 Pre-Hard

CATALOG NUMBER	A	A2	B	B2
RTT8490-2020	2.001	1.251	2.001	1.251
RTT8490-2222	2.251	1.501	2.251	1.501
RTT8490-2626	2.626	1.876	2.626	1.876

▶ CAD insertion point



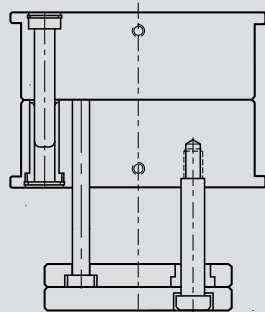
RAPID TOOLING INSERTS®



ALTERNATIVE CONFIGURATIONS AVAILABLE

Guide Pins and Bushings:

Rapid Tooling Inserts can include Guide Pins and Bushings and Return Pins at standard Progressive locations or modified to suit your application. See individual pages for more details.



Sleeve Ejector Plate Systems:

Available as an option on all Rapid Tooling Inserts, Sleeve Ejector Plates allow mold makers to install standard or Thin-Wall Sleeves. See individual pages for more details.

