



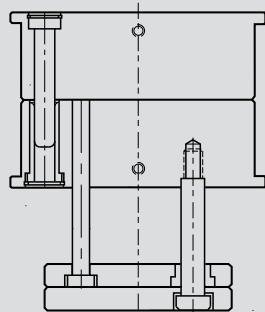
RAPID TOOLING INSERTS®



ALTERNATIVE CONFIGURATIONS AVAILABLE

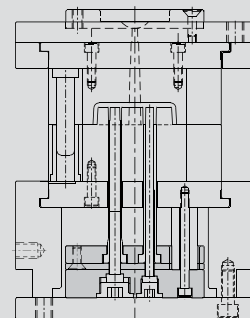
Guide Pins and Bushings:

Rapid Tooling Inserts can include Guide Pins and Bushings and Return Pins at standard Progressive locations or modified to suit your application. See individual pages for more details.



Sleeve Ejector Plate Systems:

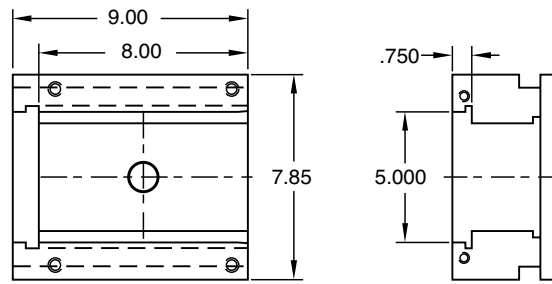
Available as an option on all Rapid Tooling Inserts, Sleeve Ejector Plates allow mold makers to install standard or Thin-Wall Sleeves. See individual pages for more details.



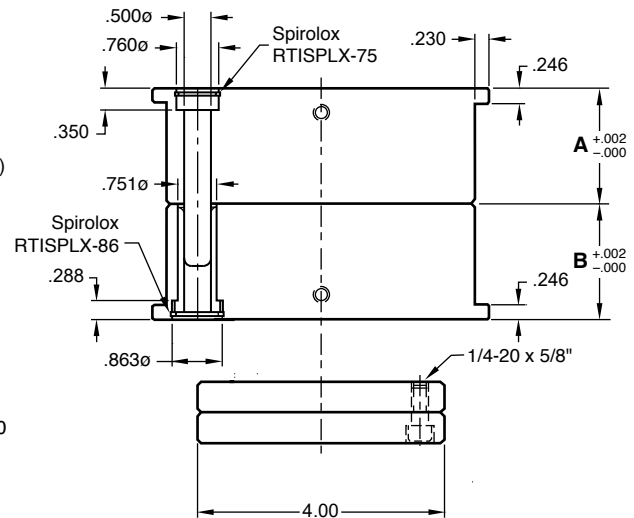
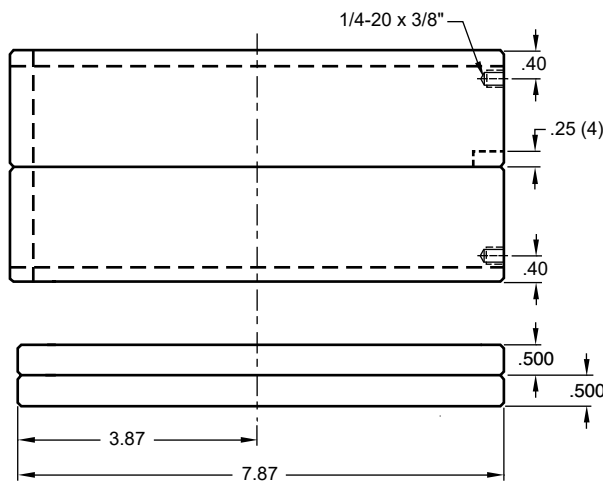
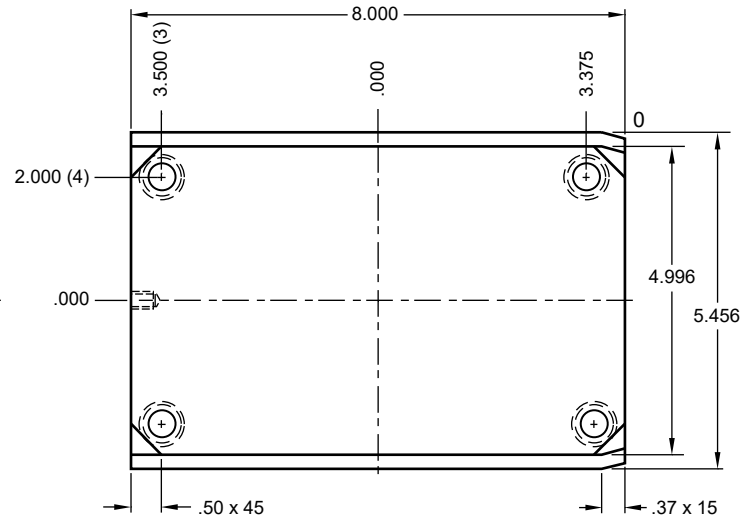
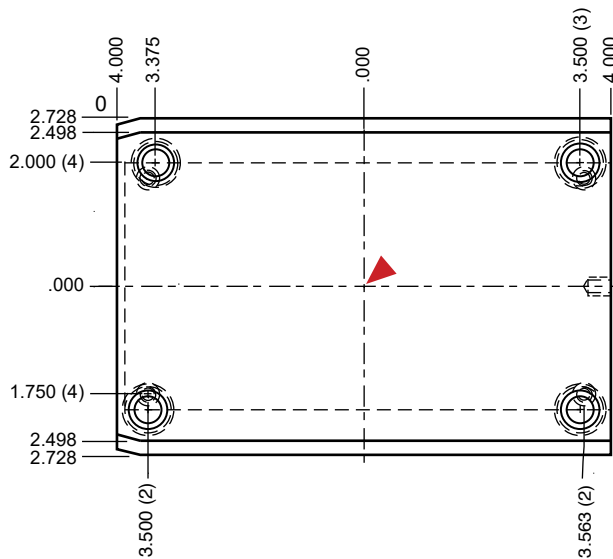
RTI® 08/09 SERIES

The following inserts are used with frame 08/09:

- 5 x 8 Solid
- 5 x 8 Laminated
- 7.85 x 9 T-Style



5 X 8 SOLID



To Order:
Specify the catalog number at right. Includes Leader Pins, Bushings, all screws, and mold strap/thumb screws.

ALTERNATIVE CONFIGURATIONS AVAILABLE

- With Sleeve Ejector Plates and all components and the extra plate, specify the catalog number at right with “-SEP” as the suffix. Ex. RTS0809-1313-SEP.
- With Guide Pins and Bushings (2) and Return Pins (4) machined and included, specify the catalog number at right with “-RPGPB” as the suffix. Refer to page L-13 for the default pin locations. Ex. RTS0809-1313-RPGPB.

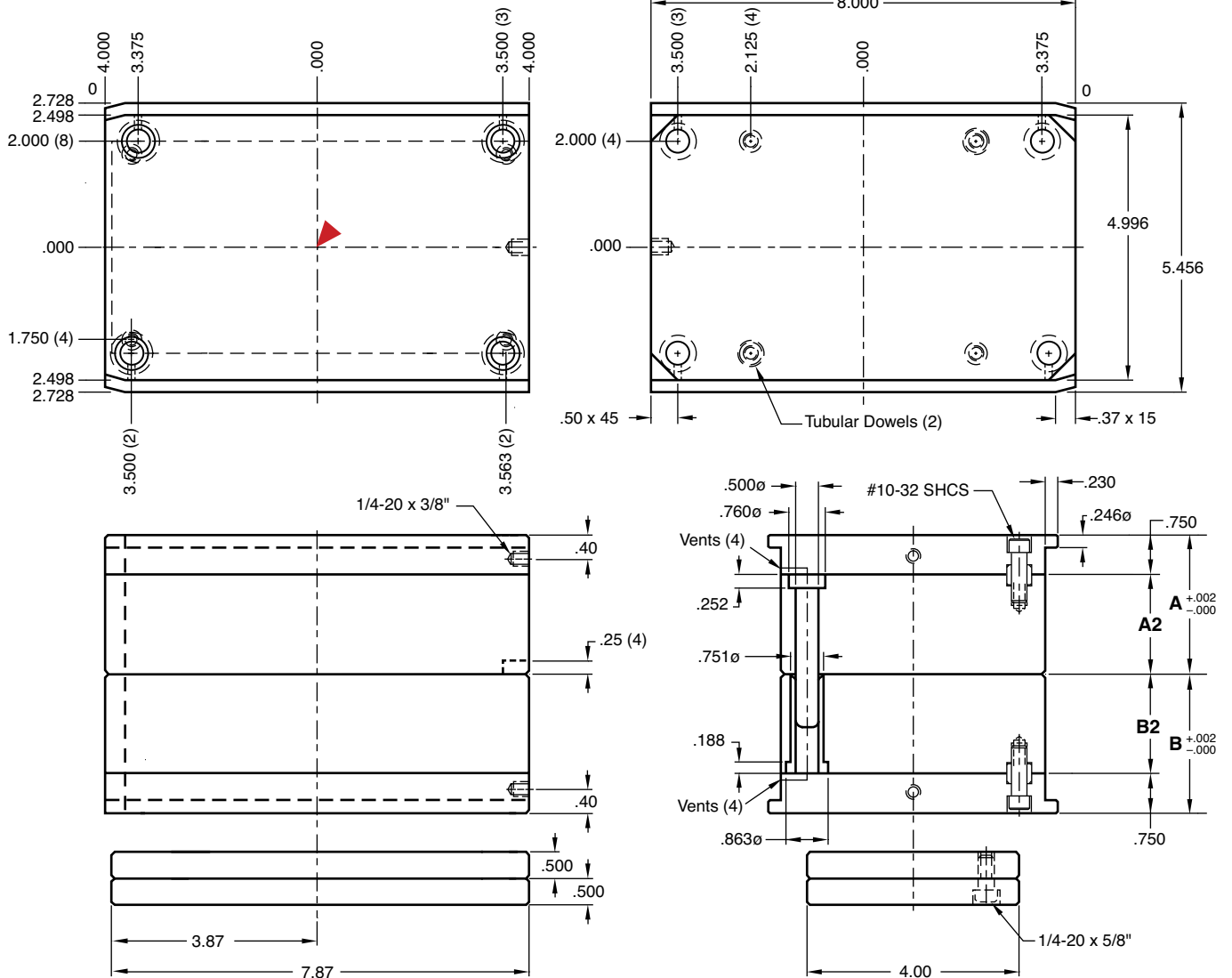
M All plates are P-20 Pre-Hard

CATALOG NUMBER	A	B
RTS0809-1313	1.376	1.376
RTS0809-1318	1.376	1.876
RTS0809-1818	1.876	1.876
RTS0809-1823	1.876	2.376
RTS0809-2323	2.376	2.376

▶ CAD insertion point



RTI® 08/09 SERIES
5 X 8 LAMINATED



To Order:
Specify the catalog number at right. Includes Leader Pins, Bushings, all screws, and mold strap/thumb screws.

- ALTERNATIVE CONFIGURATIONS AVAILABLE**
- With Sleeve Ejector Plates and all components and the extra plate, specify the catalog number at right with “-SEP” as the suffix. Ex. RTL0809-1818-SEP.
 - With Guide Pins and Bushings (2) and Return Pins (4) machined and included, specify the catalog number at right with “-RPGPB” as the suffix. Refer to page L-13 for the default locations. Ex. RTL0809-1818-RPGPB.
 - Stainless Steel: To order the stainless steel assembly, specify the item code in the chart at right. This assembly includes Guide Pins, Bushings, and Return Pins standard.

M All plates are P-20 Pre-Hard

CATALOG NUMBER	A	A2	B	B2
RTL0809-1818	1.876	1.126	1.876	1.126
RTL0809-1823	1.876	1.126	2.376	1.626
RTL0809-2323	2.376	1.626	2.376	1.626

▶ CAD insertion point

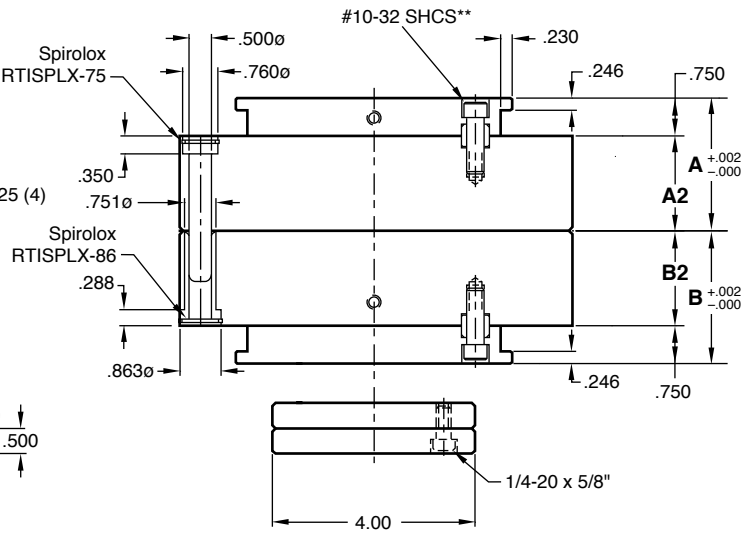
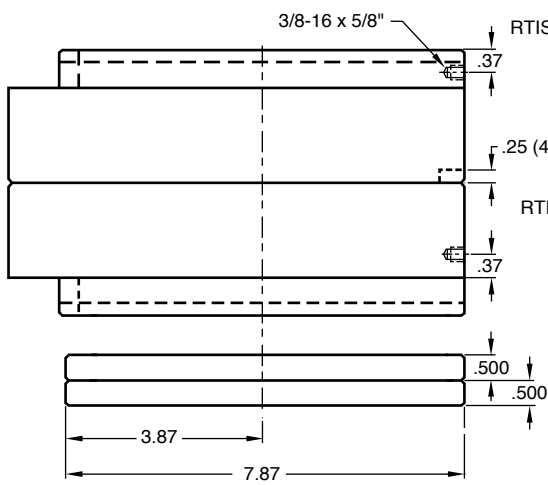
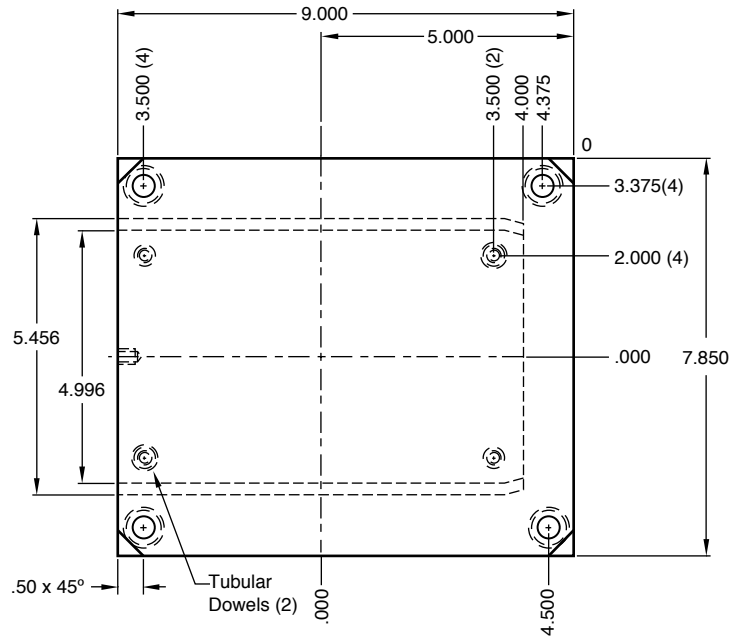
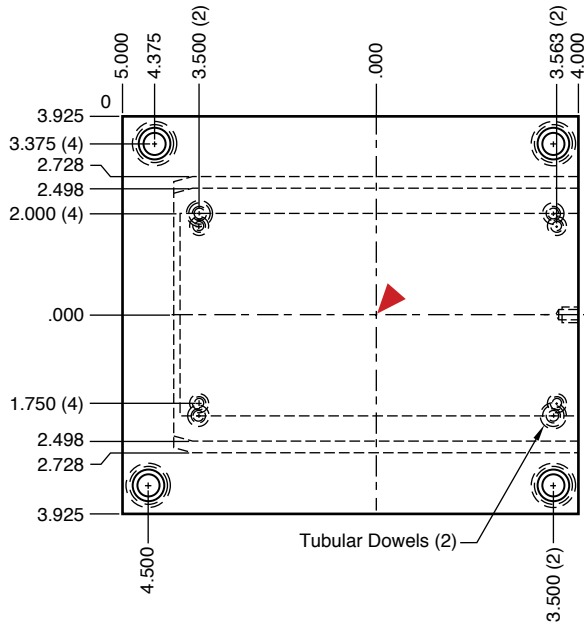
M All plates are 420 Stainless Steel

CATALOG NUMBER	A	A2	B	B2
RTL08092323-RPGPB-SS	2.376	1.626	2.376	1.626

RTI® 08/09 SERIES

7.85 X 9 T-STYLE

Note: Offset zero location.



**RTT0809-2222 & -2626 have 1/4-20 SHCS

To Order:

Specify the catalog number at right. Includes Leader Pins, Bushings, all Screws, and MS65 Mold Strap and Screws.

ALTERNATIVE CONFIGURATIONS AVAILABLE

- With Sleeve Ejector Plates and all components and the extra plate, specify the catalog number at right with “-SEP” as the suffix. Ex. RTT0809-1717-SEP.
- With Guide Pins and Bushings (2) and Return Pins (4) machined and included, specify the catalog number at right with “-RPGPB” as the suffix. Refer to page L-13 for the default locations. Ex. RTT0809-1717-RPGPB.
- Stainless Steel: To order the stainless steel assembly, specify the item code in the chart at right. This assembly includes Guide Pins, Bushings, and Return Pins standard.

M All plates are P-20 Pre-Hard

CATALOG NUMBER	A	A2	B	B2
RTT0809-1717	1.751	1.001	1.751	1.001
RTT0809-2222	2.251	1.501	2.251	1.501
RTT0809-2626	2.626	1.876	2.626	1.876

▶ CAD insertion point

M All plates are 420 Stainless Steel

CATALOG NUMBER	A	A2	B	B2
RTT08092222-RPGPB-SS	2.251	1.501	2.251	1.501



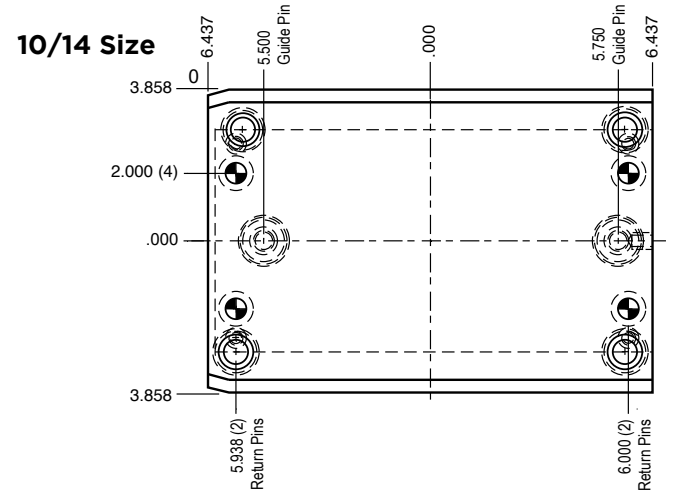
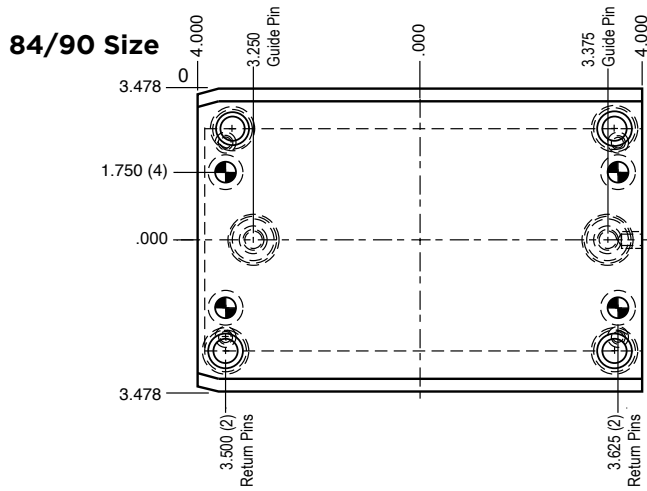
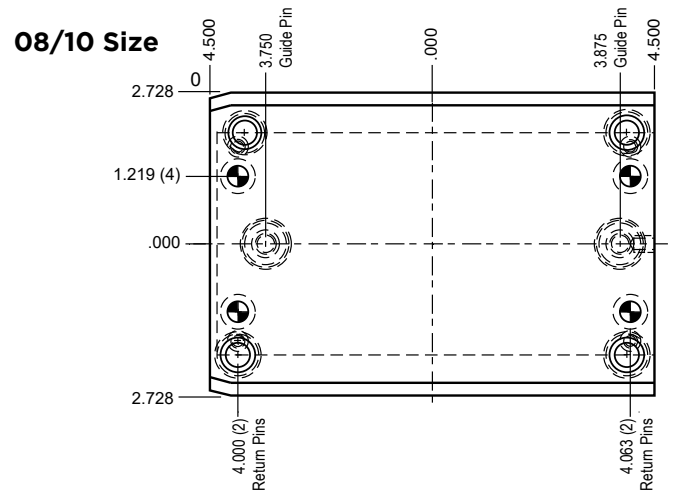
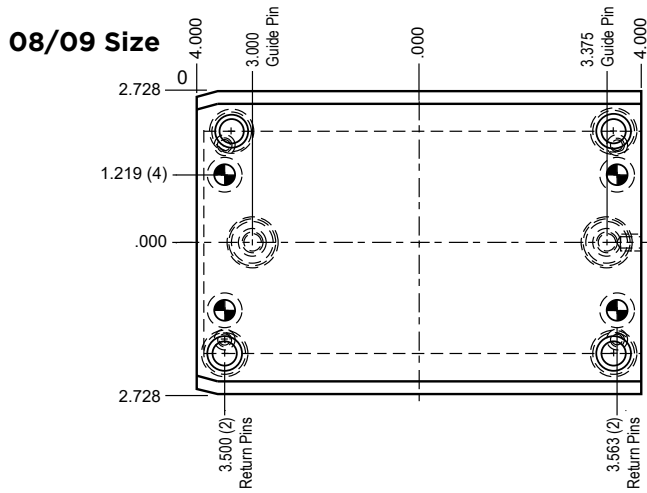
RAPID TOOLING INSERTS

ADDITIONAL COMPONENT OPTIONS

RTIs are available with optional component configurations in the standard locations shown here.

To Order:

- Specify the catalog number from the previous pages and add the appropriate suffix as shown:
- RPGPB = Return Pins (4), Guide Pins and Bushings (2) machined and included.
 - SEP = Sleeve Ejector Plate option



Return Pins, Guide Pins/Bushings are in the same locations for all sizes of Solid (shown), Laminated, and T-Style Inserts. Components may be relocated and other items machined. Contact tech@procomps.com for a quotation.

The Sleeve Ejector Plate (-SEP) option includes the following:

- Extra plate
- Guide Pins & Bushings (2)
- Return Pins (4)

