

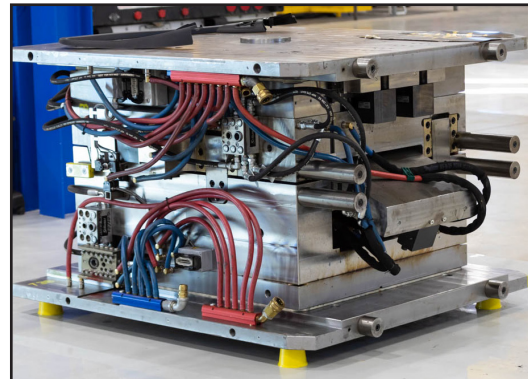
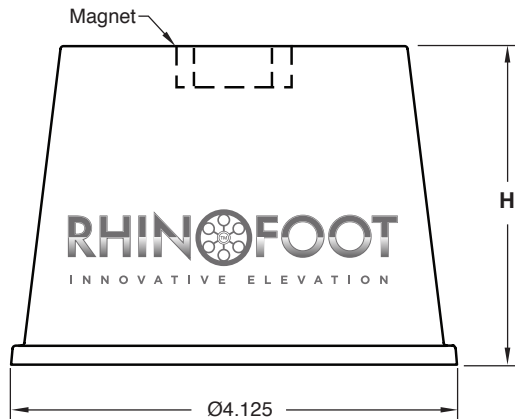


RHINO FOOT™



Through an alliance with Rhino Visions, Progressive offers the Rhino foot product line to eliminate the hazards associated with placing molds and plates on wood blocks and pallets.

- Safer, cleaner, and improves 5S standards within the shop.
- Safe working load of 7,000 lbs (3,175 kg).
- Height is marked for easy identification.
- Yellow color, sold in packages of four.

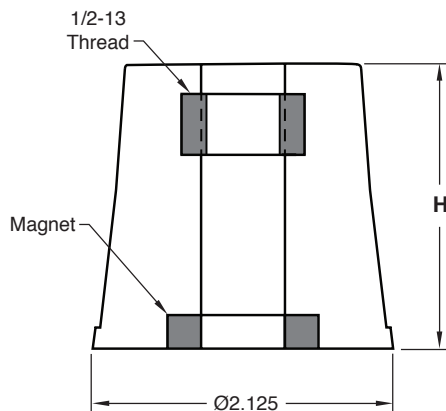


CATALOG NUMBER	H	AVERAGE COMPRESSIVE STRENGTH (LBS/KG)
RHF2	2"	27,392 / 12,425
RHF3	3"	26,815 / 12,163
RHF4	4"	27,604 / 12,521

RHINO TOES™

Rhino toes are utilized to support a plate or hot runner system for bench work.

- Orange color, sold in packages of four.



Application Guidelines:

- Using a 1/2-13 threaded rod as shown at left, utilize two toes for additional mold plate separation.
- As shown above, a bolt can be used to attach the toe to the mold or for additional heights.

CATALOG NUMBER	H	SAFE WORKING LOAD WITH SHCS (LBS/KG)	AVERAGE COMPRESSIVE STRENGTH WITH SHCS (LBS/KG)	SAFE WORKING LOAD WITH MAGNET (LBS/KG)	AVERAGE COMPRESSIVE STRENGTH WITH MAGNET (LBS/KG)
RHT1	1"	630 / 286	3,840 / 1,742	2,530 / 1,148	9,380 / 4,255
RHT2	2"	800 / 363	3,340 / 1,515	2,670 / 1,211	11,180 / 5,107
RHT3	3"	830 / 377	3,390 / 1,538	3,000 / 1,361	11,330 / 5,139

1/2-13 threaded rod and bolt not included.