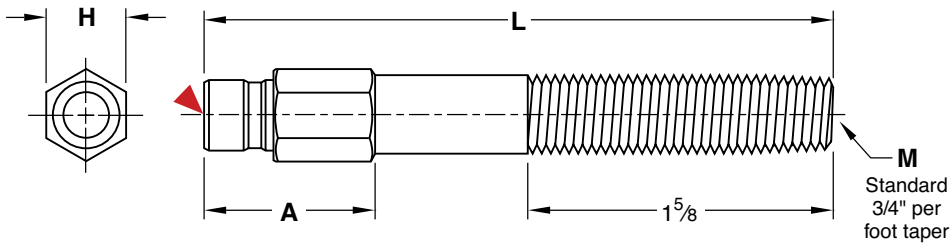




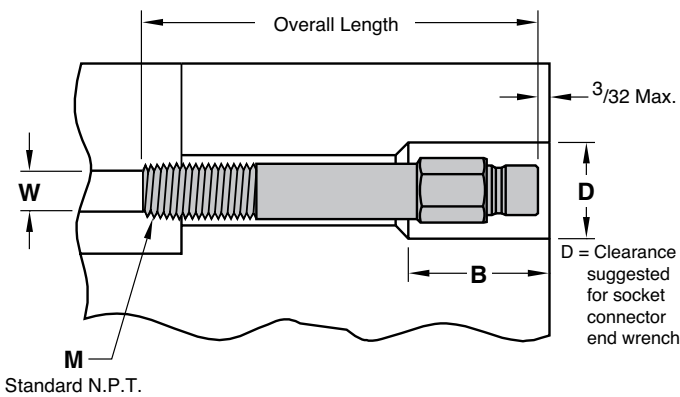
EXTENSION PLUGS



M Brass

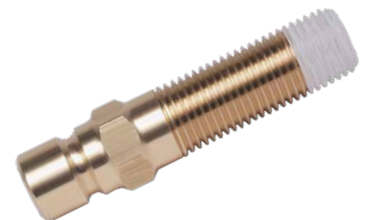
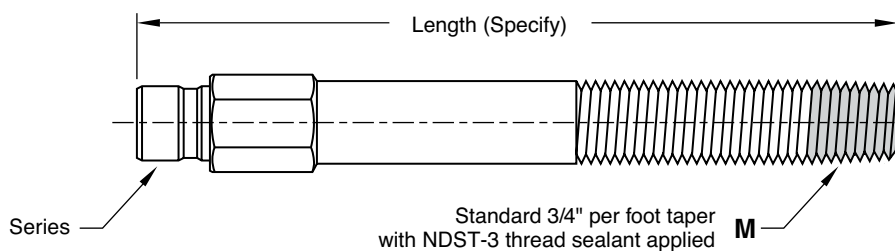
▶ CAD insertion point

EXTENSION SERIES	M PIPE THREAD	D	B	W (REF)
250	1/16	.75	1.00	1/4
251	1/8	.87	1.25	5/16
252	1/4	1.00	1.50	7/16
253	3/8	1.12	1.50	9/16
350	1/16	1.00	1.25	1/4
351	1/8	1.00	1.25	5/16
352	1/4	1.00	1.50	7/16
353	3/8	1.12	1.50	9/16
354	1/2	1.50	1.75	11/16
553	3/8	1.37	1.62	9/16
554	1/2	1.50	1.75	11/16



ALTERNATIVE CONFIGURATIONS AVAILABLE

- Note: Standard Series Extension Plugs are shown on page E-22. Keyed Connect Extension Plugs are shown on page E-23.
- Stainless Steel Extension Plugs are also available. Specify "-SS" at the end of the catalog number. Ex. 252L5.5-SS or 353L4-SS
- Extension Plugs can be obtained made to BSPT specs. The threads are BSPT, and all other dimensions are inch nominal per the chart on page E-22. To order, specify "-BSP" at the end of the catalog number. Ex. 252L5.5-BSP
- ND ST-3 Thread Sealant can be applied to any Extension Plug. To order, specify "-ST" at the end of the catalog number. Ex. 252L5.5-ST or 252L5.5-SS-ST
- Extension Plugs can be ordered cut to length, in any quantity, as shown below. All Extension Plugs cut to length have sealant applied to the tapered end for convenience. To order, specify series and NPT prefix with required length. Ex. 352L6.53



EXTENSION PLUGS

STANDARD SERIES



• Use with standard Socket Connectors shown on page E-25 only.

200 Series 1/4" HOLE					300 Series 3/8" HOLE					500 Series 1/2" HOLE				
CATALOG NUMBER	L LENGTH	M NPT	H HEX SIZE	A	CATALOG NUMBER	L LENGTH	M NPT	H HEX SIZE	A	CATALOG NUMBER	L LENGTH	M NPT	H HEX SIZE	A
1/16" PIPE EXTENSIONS														
250L2.5	2.5	1/16	.37	.68	350L2.5	2.5	1/16	.56	.87	AVAILABLE ON REQUEST				
250L4	4.0	1/16	.37	.81	350L4	4.0	1/16	.56	1.00					
250L5.5	5.5	1/16	.37	.81	350L5.5	5.5	1/16	.56	1.00					
250L7	7.0	1/16	.37	.81	350L7	7.0	1/16	.56	1.00					
1/8" PIPE EXTENSIONS														
251L2.5	2.5	1/8	.43	.68	351L2.5	2.5	1/8	.56	.87	AVAILABLE ON REQUEST				
251L4	4.0	1/8	.43	1.00	351L4	4.0	1/8	.56	1.00					
251L5.5	5.5	1/8	.43	1.00	351L5.5	5.5	1/8	.56	1.00					
251L7	7.0	1/8	.43	1.00	351L7	7.0	1/8	.56	1.00					
251L8.5	8.5	1/8	.43	1.00	351L8.5	8.5	1/8	.56	1.00					
251L10	10.0	1/8	.43	1.00	351L10	10.0	1/8	.56	1.00					
251L11.5	11.5	1/8	.43	1.00	351L11.5	11.5	1/8	.56	1.00					
251L13	13.0	1/8	.43	1.00	351L13	13.0	1/8	.56	1.00					
1/4" PIPE EXTENSIONS														
252L2.5	2.5	1/4	.56	.87	352L2.5	2.5	1/4	.56	.87	AVAILABLE ON REQUEST				
252L4	4.0	1/4	.56	1.25	352L4	4.0	1/4	.56	1.25					
252L5.5	5.5	1/4	.56	1.25	352L5.5	5.5	1/4	.56	1.25					
252L7	7.0	1/4	.56	1.25	352L7	7.0	1/4	.56	1.25					
252L8.5	8.5	1/4	.56	1.25	352L8.5	8.5	1/4	.56	1.25					
252L10	10.0	1/4	.56	1.25	352L10	10.0	1/4	.56	1.25					
252L11.5	11.5	1/4	.56	1.25	352L11.5	11.5	1/4	.56	1.25					
252L13	13.0	1/4	.56	1.25	352L13	13.0	1/4	.56	1.25					
3/8" PIPE EXTENSIONS														
253L2.5	2.5	3/8	.68	1.00	353L2.5	2.5	3/8	.68	1.00	553L2.5	2.5	3/8	.81	1.12
253L4	4.0	3/8	.68	1.25	353L4	4.0	3/8	.68	1.25	553L4	4.0	3/8	.81	1.37
253L5.5	5.5	3/8	.68	1.25	353L5.5	5.5	3/8	.68	1.25	553L5.5	5.5	3/8	.81	1.37
253L7	7.0	3/8	.68	1.25	353L7	7.0	3/8	.68	1.25	553L7	7.0	3/8	.81	1.37
253L8.5	8.5	3/8	.68	1.25	353L8.5	8.5	3/8	.68	1.25	553L8.5	8.5	3/8	.81	1.37
253L10	10.0	3/8	.68	1.25	353L10	10.0	3/8	.68	1.25	553L10	10.0	3/8	.81	1.37
253L11.5	11.5	3/8	.68	1.25	353L11.5	11.5	3/8	.68	1.25	553L11.5	11.5	3/8	.81	1.37
253L13	13.0	3/8	.68	1.25	353L13	13.0	3/8	.68	1.25	553L13	13.0	3/8	.81	1.37
1/2" PIPE EXTENSIONS														
AVAILABLE ON REQUEST					354L2.5	2.5	1/2	.87	1.12	554L2.5	2.5	1/2	.87	1.12
					354L4	4.0	1/2	.87	1.50	554L4	4.0	1/2	.87	1.50
					354L5.5	5.5	1/2	.87	1.50	554L5.5	5.5	1/2	.87	1.50
					354L7	7.0	1/2	.87	1.50	554L7	7.0	1/2	.87	1.50
					354L8.5	8.5	1/2	.87	1.50	554L8.5	8.5	1/2	.87	1.50
					354L10	10.0	1/2	.87	1.50	554L10	10.0	1/2	.87	1.50
					354L11.5	11.5	1/2	.87	1.50	554L11.5	11.5	1/2	.87	1.50
					354L13	13.0	1/2	.87	1.50	554L13	13.0	1/2	.87	1.50