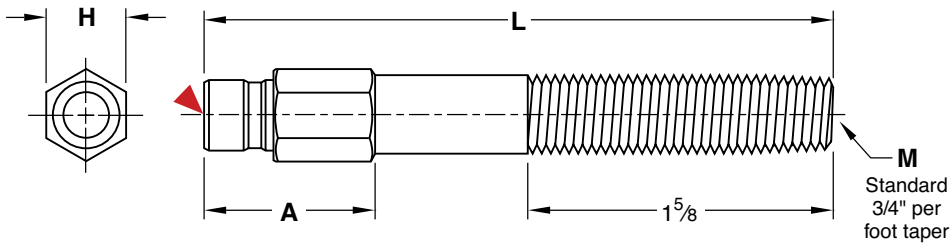




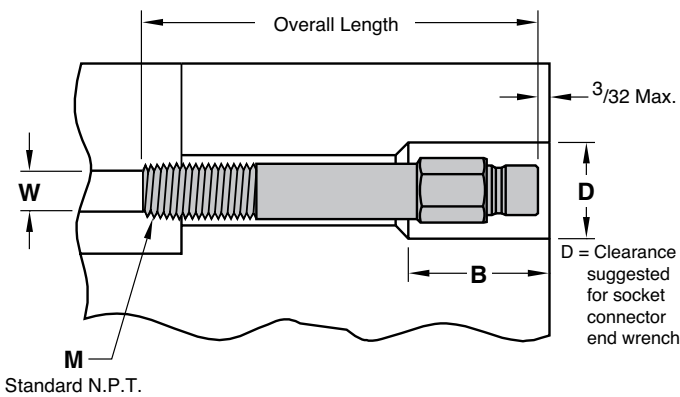
# EXTENSION PLUGS



**M** Brass

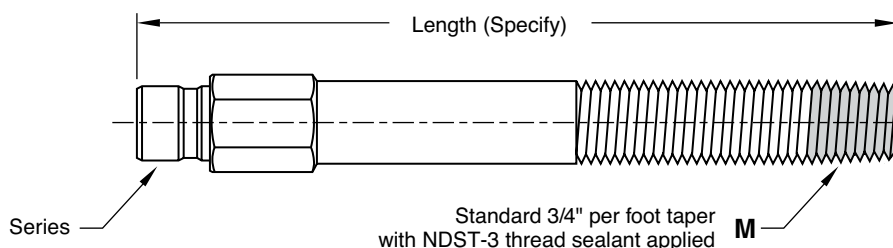
▶ CAD insertion point

EXTENSION SERIES	M PIPE THREAD	D	B	W (REF)
250	1/16	.75	1.00	1/4
251	1/8	.87	1.25	5/16
252	1/4	1.00	1.50	7/16
253	3/8	1.12	1.50	9/16
350	1/16	1.00	1.25	1/4
351	1/8	1.00	1.25	5/16
352	1/4	1.00	1.50	7/16
353	3/8	1.12	1.50	9/16
354	1/2	1.50	1.75	11/16
553	3/8	1.37	1.62	9/16
554	1/2	1.50	1.75	11/16



## ALTERNATIVE CONFIGURATIONS AVAILABLE

- Note: Standard Series Extension Plugs are shown on page E-22. Keyed Connect Extension Plugs are shown on page E-23.
- Stainless Steel Extension Plugs are also available. Specify "-SS" at the end of the catalog number. Ex. 252L5.5-SS or 353L4-SS
- Extension Plugs can be obtained made to BSPT specs. The threads are BSPT, and all other dimensions are inch nominal per the chart on page E-22. To order, specify "-BSP" at the end of the catalog number. Ex. 252L5.5-BSP
- ND ST-3 Thread Sealant can be applied to any Extension Plug. To order, specify "-ST" at the end of the catalog number. Ex. 252L5.5-ST or 252L5.5-SS-ST
- Extension Plugs can be ordered cut to length, in any quantity, as shown below. All Extension Plugs cut to length have sealant applied to the tapered end for convenience. To order, specify series and NPT prefix with required length. Ex. 352L6.53





# EXTENSION PLUGS KEYED CONNECT SERIES



- Eliminate in/out connection mistakes, using the keyed plugs for all inlets
- Use with Keyed Socket Connectors shown on page E-27 only.
- Perfect for die cast jet cooling applications.

200 Series 1/4" HOLE					300 Series 3/8" HOLE					500 Series 1/2" HOLE				
CATALOG NUMBER	L LENGTH	M NPT	H HEX SIZE	A	CATALOG NUMBER	L LENGTH	M NPT	H HEX SIZE	A	CATALOG NUMBER	L LENGTH	M NPT	H HEX SIZE	A
<b>1/16" PIPE EXTENSIONS (KEYED)</b>														
250L2.5-K	2.5	1/16	.37	.68	350L2.5-K	2.5	1/16	.56	.87	AVAILABLE ON REQUEST				
250L4-K	4.0	1/16	.37	.81	350L4-K	4.0	1/16	.56	1.00					
250L5.5-K	5.5	1/16	.37	.81	350L5.5-K	5.5	1/16	.56	1.00					
250L7-K	7.0	1/16	.37	.81	350L7-K	7.0	1/16	.56	1.00					
<b>1/8" PIPE EXTENSIONS (KEYED)</b>														
251L2.5-K	2.5	1/8	.43	.68	351L2.5-K	2.5	1/8	.56	.87	AVAILABLE ON REQUEST				
251L4-K	4.0	1/8	.43	1.00	351L4-K	4.0	1/8	.56	1.00					
251L5.5-K	5.5	1/8	.43	1.00	351L5.5-K	5.5	1/8	.56	1.00					
251L7-K	7.0	1/8	.43	1.00	351L7-K	7.0	1/8	.56	1.00					
251L8.5-K	8.5	1/8	.43	1.00	351L8.5-K	8.5	1/8	.56	1.00					
251L10-K	10.0	1/8	.43	1.00	351L10-K	10.0	1/8	.56	1.00					
251L11.5-K	11.5	1/8	.43	1.00	351L11.5-K	11.5	1/8	.56	1.00					
251L13-K	13.0	1/8	.43	1.00	351L13-K	13.0	1/8	.56	1.00					
<b>1/4" PIPE EXTENSIONS (KEYED)</b>														
252L2.5-K	2.5	1/4	.56	.87	352L2.5-K	2.5	1/4	.56	.87	AVAILABLE ON REQUEST				
252L4-K	4.0	1/4	.56	1.25	352L4-K	4.0	1/4	.56	1.25					
252L5.5-K	5.5	1/4	.56	1.25	352L5.5-K	5.5	1/4	.56	1.25					
252L7-K	7.0	1/4	.56	1.25	352L7-K	7.0	1/4	.56	1.25					
252L8.5-K	8.5	1/4	.56	1.25	352L8.5-K	8.5	1/4	.56	1.25					
252L10-K	10.0	1/4	.56	1.25	352L10-K	10.0	1/4	.56	1.25					
252L11.5-K	11.5	1/4	.56	1.25	352L11.5-K	11.5	1/4	.56	1.25					
252L13-K	13.0	1/4	.56	1.25	352L13-K	13.0	1/4	.56	1.25					
<b>3/8" PIPE EXTENSIONS (KEYED)</b>														
253L2.5-K	2.5	3/8	.68	1.00	353L2.5-K	2.5	3/8	.68	1.00	553L2.5-K	2.5	3/8	.81	1.12
253L4-K	4.0	3/8	.68	1.25	353L4-K	4.0	3/8	.68	1.25	553L4-K	4.0	3/8	.81	1.37
253L5.5-K	5.5	3/8	.68	1.25	353L5.5-K	5.5	3/8	.68	1.25	553L5.5-K	5.5	3/8	.81	1.37
253L7-K	7.0	3/8	.68	1.25	353L7-K	7.0	3/8	.68	1.25	553L7-K	7.0	3/8	.81	1.37
253L8.5-K	8.5	3/8	.68	1.25	353L8.5-K	8.5	3/8	.68	1.25	553L8.5-K	8.5	3/8	.81	1.37
253L10-K	10.0	3/8	.68	1.25	353L10-K	10.0	3/8	.68	1.25	553L10-K	10.0	3/8	.81	1.37
253L11.5-K	11.5	3/8	.68	1.25	353L11.5-K	11.5	3/8	.68	1.25	553L11.5-K	11.5	3/8	.81	1.37
253L13-K	13.0	3/8	.68	1.25	353L13-K	13.0	3/8	.68	1.25	553L13-K	13.0	3/8	.81	1.37
<b>1/2" PIPE EXTENSIONS (KEYED)</b>														
AVAILABLE ON REQUEST					354L2.5-K	2.5	1/2	.87	1.12	554L2.5-K	2.5	1/2	.87	1.12
					354L4-K	4.0	1/2	.87	1.50	554L4-K	4.0	1/2	.87	1.50
					354L5.5-K	5.5	1/2	.87	1.50	554L5.5-K	5.5	1/2	.87	1.50
					354L7-K	7.0	1/2	.87	1.50	554L7-K	7.0	1/2	.87	1.50
					354L8.5-K	8.5	1/2	.87	1.50	554L8.5-K	8.5	1/2	.87	1.50
					354L10-K	10.0	1/2	.87	1.50	554L10-K	10.0	1/2	.87	1.50
					354L11.5-K	11.5	1/2	.87	1.50	554L11.5-K	11.5	1/2	.87	1.50
					354L13-K	13.0	1/2	.87	1.50	554L13-K	13.0	1/2	.87	1.50