



# O-RINGS FACE SEAL



## APPLICATION GUIDELINES

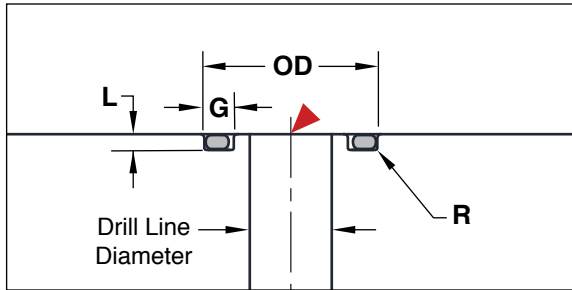
- Buna-N temperature range is -20°F to 225 °F (-28°C to 107°C)
- Viton® temperature range is 0°F to 400°F (-17°C to 204°C)
- Minimum order quantity is 25 rings per size and must be purchased in increments of 25.

▶ CAD insertion point

## Face Seal Dimensions

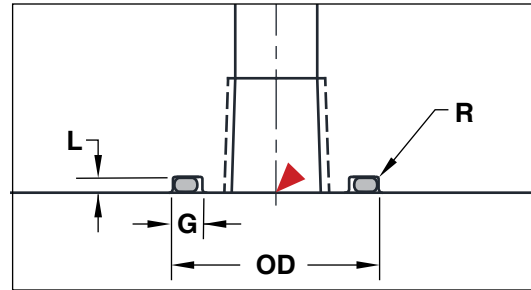
DASH NUMBER	CROSS SECTION	G	L	R
-013 through -025	1/16	.101 to .107	.050 to .054	.005 to .015
-112 through -125	3/32	.136 to .142	.074 to .080	.005 to .015

### Drill Line: Face Sealing



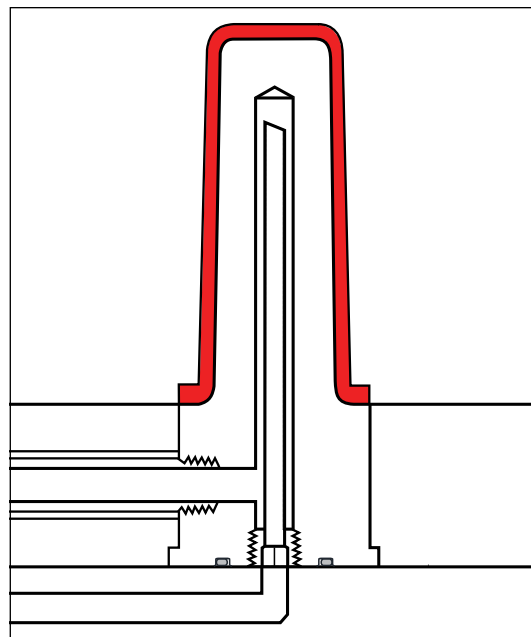
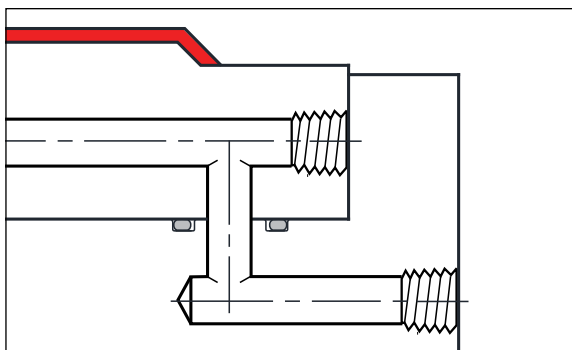
DRILL LINE DIAMETER	CATALOG NUMBER		OD
	BUNA-N	VITON	
.25 (1/4)	OR-013	OR-013-V	.566
	OR-112	OR-112-V	.693
.312 (5/16)	OR-014	OR-014-V	.629
	OR-113	OR-113-V	.755
.375 (3/8)	OR-015	OR-015-V	.691
	OR-114	OR-114-V	.818
.421 (27/64)	OR-016	OR-016-V	.754
	OR-114	OR-114-V	.818
.437 (7/16)	OR-017	OR-017-V	.816
	OR-115	OR-115-V	.880
.500 (7/16)	OR-018	OR-018-V	.879
	OR-116	OR-116-V	.943
.562 (9/16)	OR-019	OR-019-V	0.941
	OR-117	OR-117-V	1.005
.687 (11/16)	OR-021	OR-021-V	1.066
	OR-119	OR-119-V	1.130
.906 (29/32)	OR-024	OR-024-V	1.254
	OR-123	OR-123-V	1.380
.937 (15/16)	OR-025	OR-025-V	1.316
	OR-124	OR-124-V	1.443

### NPT: Face Sealing



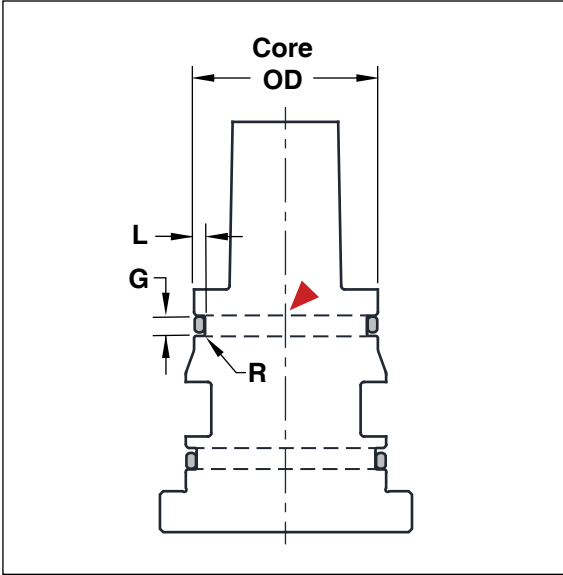
NPT	CATALOG NUMBER		OD
	BUNA-N	VITON	
1/16	OR-015	OR-015-V	.691
	OR-113	OR-113-V	.755
1/8	OR-016	OR-016-V	.754
	OR-114	OR-114-V	.818
1/4	OR-018	OR-018-V	.879
	OR-116	OR-116-V	.943
3/8	OR-020	OR-020-V	1.004
	OR-118	OR-118-V	1.068
1/2	OR-023	OR-023-V	1.191
	OR-122	OR-122-V	1.318
3/4	OR-026	OR-026-V	1.379
	OR-125	OR-125-V	1.505

## Applications



# O-RINGS

## CORE DIAMETER SEAL



Core Seal Dimensions ▶ CAD insertion point

DASH NUMBER	CROSS SECTION	G	L	R
-014 through -048	1/16	.093 to .098	.048 to .049	.005 to .015
-114 through -157	3/32	.140 to .145	.079 to .080	.005 to .015
-208 through -247	1/8	.187 to .192	.109 to .110	.005 to .015

### APPLICATION GUIDELINES

- Buna-N temperature range is -20°F to 225°F (-28°C to 107°C)
- Viton® temperature range is 0°F to 400°F (-17°C to 204°C)

### To Order:

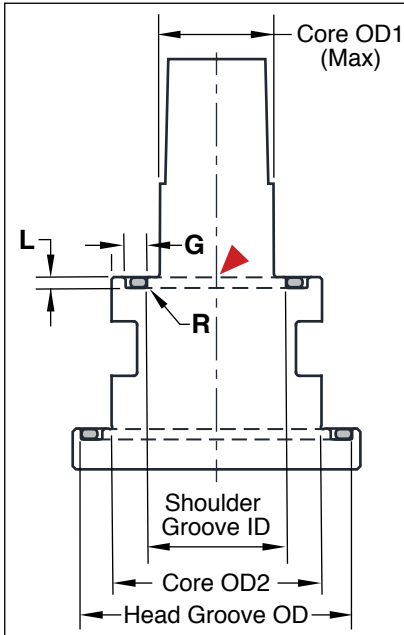
- Buna-N O-Rings: Specify the prefix "OR" before the dash number. Ex. OR-127 or OR-241.
- Viton O-Rings: Specify the prefix "OR" before the dash number and "-V" as the suffix. Ex. OR-127-V or OR-241-V.
- Minimum order quantity is 25 rings per size and must be purchased in increments of 25.

NOMINAL CORE DIAMETER	1/16 CROSS SECTION		3/32 CROSS SECTION		1/8 CROSS SECTION	
	DASH NUMBER	CORE OD +.000 - .001	DASH NUMBER	CORE OD +.000 - .001	DASH NUMBER	CORE OD +.000 - .001
5/8	-014	0.623	-	-	-	-
11/16	-015	0.685	-	-	-	-
3/4	-016	0.748	-	-	-	-
13/16	-017	0.81	-114	0.81	-	-
7/8	-018	0.873	-115	0.873	-208	0.872
15/16	-019	0.935	-116	0.935	-209	0.934
1	-020	0.998	-117	0.998	-210	0.997
1-1/16	-021	1.06	-118	1.06	-211	1.059
1-1/8	-022	1.123	-119	1.123	-212	1.122
1-3/16	-023	1.185	-120	1.185	-213	1.184
1-1/4	-024	1.248	-121	1.248	-214	1.247
1-5/16	-025	1.31	-122	1.31	-215	1.309
1-3/8	-026	1.373	-123	1.373	-216	1.372
1-7/16	-027	1.435	-124	1.435	-217	1.434
1-1/2	-028	1.498	-125	1.498	-218	1.497
1-9/16	-	-	-126	1.56	-219	1.559
1-5/8	-029	1.623	-127	1.623	-220	1.622
1-11/16	-	-	-128	1.685	-221	1.684
1-3/4	-030	1.748	-129	1.748	-222	1.747
1-13/16	-	-	-130	1.81	-	-
1-7/8	-031	1.873	-131	1.873	-223	1.872
1-15/16	-	-	-132	1.935	-	-
2	-032	1.998	-133	1.998	-224	1.997
2-1/16	-	-	-134	2.06	-	-
2-1/8	-033	2.123	-135	2.123	-225	2.122
2-3/16	-	-	-136	2.185	-	-
2-1/4	-034	2.248	-137	2.248	-226	2.247
2-5/16	-	-	-138	2.31	-	-
2-3/8	-035	2.373	-139	2.373	-227	2.372
2-7/16	-	-	-140	2.435	-	-
2-1/2	-036	2.498	-141	2.498	-228	2.497
2-9/16	-	-	-142	2.56	-	-
2-5/8	-037	2.623	-143	2.623	-229	2.622
2-11/16	-	-	-144	2.685	-	-
2-3/4	-038	2.748	-145	2.748	-230	2.747
2-13/16	-	-	-146	2.81	-	-
2-7/8	-039	2.873	-147	2.873	-231	2.872
2-15/16	-	-	-148	2.935	-	-
3	-040	2.998	-149	2.998	-232	2.997
3-1/16	-	-	-150	3.06	-	-
3-1/8	-041	3.123	-151	3.185	-233	3.122
3-1/4	-	-	-	-	-234	3.247
3-3/8	-042	3.373	-	-	-235	3.372
3-7/16	-	-	-152	3.435	-236	3.497
3-5/8	-043	3.623	-	-	-237	3.622
3-11/16	-	-	-153	3.685	-	-
3-3/4	-	-	-	-	-238	3.747
3-7/8	-044	3.873	-	-	-239	3.872
3-15/16	-	-	-154	3.935	-	-
4	-	-	-	-	-240	3.997
4-1/8	-045	4.123	-	-	-241	4.122
4-3/16	-	-	-155	4.185	-	-
4-1/4	-	-	-	-	-242	4.247
4-3/8	-046	4.373	-	-	-243	4.372
4-7/16	-	-	-156	4.435	-	-
4-1/2	-	-	-	-	-244	4.497
4-5/8	-047	4.623	-	-	-245	4.622
4-11/16	-	-	-157	4.685	-	-
4-3/4	-	-	-	-	-246	4.747
4-7/8	-048	4.873	-	-	-247	4.872



# O-RINGS

## CORE FACE SEAL



- ### APPLICATION GUIDELINES
- The Shoulder Groove ID is to be determined by the ID of the O-Ring and groove width.
  - The corresponding Head Groove OD is to be determined by the OD of the O-Ring and groove width.
  - Buna-N temp range: -20°F to 225°F (-28°C to 107°C)
  - Viton® temp range: 0°F to 400°F (-17°C to 204°C)

### Face Seal Dimensions

CAD insertion point

DASH NUMBER	CROSS SECTION	G GROOVE WIDTH	L	R
-025 through -046	1/16	.101 to .107	.050 to .054	.005 to .015
-123 through -157	3/32	.136 to .142	.074 to .080	.005 to .015
-217 through -245	1/8	.177 to .187	.101 to .107	.005 to .015

CORE OD1	1/16 CROSS SECTION				3/32 CROSS SECTION				1/8 CROSS SECTION						
	SHOULDER		CORE OD2	HEAD		SHOULDER		CORE OD2	HEAD		SHOULDER		CORE OD2	HEAD	
	DASH NUMBER	GROOVE ID		DASH NUMBER	GROOVE OD	DASH NUMBER	GROOVE ID		DASH NUMBER	GROOVE OD	DASH NUMBER	GROOVE ID		DASH NUMBER	GROOVE OD
1	-025	1.176	1-5/8	-033	2.129	-123	1.174	1-11/16	-136	2.193	-217	1.171	1-3/4	-	-
1-1/16	-026	1.239	1-11/16	-033	2.129	-124	1.237	1-3/4	-137	2.256	-218	1.234	1-13/16	-227	2.387
1-1/8	-027	1.301	1-3/4	-034	2.254	-125	1.299	1-13/16	-138	2.318	-219	1.296	1-7/8	-	-
1-3/16	-028	1.364	1-13/16	-034	2.254	-126	1.362	1-7/8	-139	2.381	-220	1.359	1-15/16	-228	2.512
1-1/4	-	-	1-7/8	-	-	-127	1.424	1-15/16	-140	2.443	-221	1.421	2	-	-
1-5/16	-029	1.489	1-15/16	-035	2.379	-128	1.487	2	-141	2.506	-222	1.484	2-1/16	-229	2.637
1-3/8	-	-	2	-	-	-129	1.549	2-1/16	-142	2.568	-	-	2-1/8	-	-
1-7/16	-030	1.614	2-1/16	-036	2.504	-130	1.612	2-1/8	-143	2.631	-223	1.609	2-3/16	-230	2.762
1-1/2	-	-	2-1/8	-	-	-131	1.674	2-3/16	-144	2.693	-	-	2-1/4	-	-
1-9/16	-031	1.739	2-3/16	-037	2.629	-132	1.737	2-1/4	-145	2.756	-224	1.734	2-5/16	-231	2.887
1-5/8	-	-	2-1/4	-	-	-133	1.799	2-5/16	-146	2.818	-	-	2-3/8	-	-
1-11/16	-032	1.864	2-5/16	-038	2.754	-134	1.862	2-3/8	-	-	-225	1.859	2-7/16	-232	3.012
1-3/4	-	-	2-3/8	-	-	-135	1.924	2-7/16	-148	2.943	-	-	2-1/2	-	-
1-13/16	-033	1.989	2-7/16	-039	2.879	-136	1.987	2-1/2	-149	3.006	-226	1.984	2-9/16	-233	3.137
1-7/8	-	-	2-1/2	-	-	-137	2.049	2-9/16	-150	3.068	-	-	2-5/8	-	-
1-15/16	-034	2.114	2-9/16	-040	3.004	-138	2.112	2-5/8	-	-	-227	2.109	2-11/16	-234	3.262
2	-	-	2-5/8	-	-	-139	2.174	2-11/16	-151	3.193	-	-	2-3/4	-	-
2-1/16	-035	2.239	2-11/16	-041	3.129	-140	2.237	2-3/4	-	-	-228	2.234	2-13/16	-235	3.387
2-1/8	-	-	2-3/4	-	-	-141	2.299	2-13/16	-	-	-	-	2-7/8	-	-
2-3/16	-036	2.364	2-13/16	-	-	-142	2.362	2-7/8	-	-	-229	2.359	2-15/16	-236	3.512
2-1/4	-	-	2-7/8	-	-	-143	2.424	2-15/16	-152	3.443	-	-	3	-	-
2-5/16	-037	2.489	2-15/16	-042	3.379	-144	2.487	3	-	-	-230	2.484	3-1/16	-237	3.637
2-3/8	-	-	3	-	-	-145	2.549	3-1/16	-	-	-	-	3-1/8	-	-
2-7/16	-038	2.614	3-1/16	-	-	-146	2.612	3-1/8	-153	3.693	-231	2.609	3-3/16	-238	3.762
2-1/2	-	-	3-1/8	-	-	-147	2.674	3-3/16	-	-	-	-	3-1/4	-	-
2-9/16	-039	2.739	3-3/16	-043	3.629	-148	2.737	3-1/4	-	-	-232	2.734	3-5/16	-239	3.887
2-5/8	-	-	3-1/4	-	-	-149	2.799	3-5/16	-	-	-	-	3-3/8	-	-
2-11/16	-040	2.864	3-5/16	-	-	-150	2.862	3-3/8	-	-	-233	2.859	3-7/16	-240	4.012
2-3/4	-	-	3-3/8	-	-	-151	2.924	3-7/16	-154	3.943	-	-	3-1/2	-	-
2-13/16	-041	2.989	3-7/16	-044	3.879	-	-	3-1/2	-	-	-234	2.984	3-9/16	-241	4.137
2-15/16	-	-	3-9/16	-	-	-	-	3-5/8	-	-	-235	3.109	3-11/16	-242	4.262
3	-	-	3-5/8	-	-	-	-	3-11/16	-155	4.193	-	-	3-3/4	-	-
3-1/16	-042	3.239	3-11/16	-045	4.129	-152	3.237	3-3/4	-156	4.443	-236	3.234	3-13/16	-243	4.387
3-3/16	-	-	3-13/16	-	-	-	-	3-7/8	-	-	-237	3.359	3-15/16	-244	4.512
3-5/16	-043	3.489	3-15/16	-046	4.379	-153	3.487	4	-157	4.693	-238	3.484	4-1/16	-245	4.637

- To Order:**
- Buna-N O-Rings: Specify the prefix "OR" before the dash number. Ex. OR-127 or OR-241.
  - Viton O-Rings: Specify the prefix "OR" before the dash number and "-V" as the suffix. Ex. OR-127-V or OR-241-V.
  - Minimum order quantity is 25 rings per size and must be purchased in increments of 25.