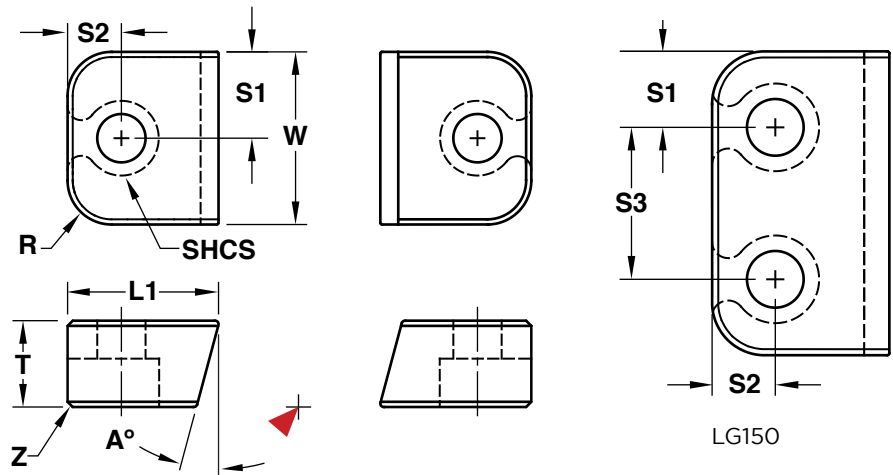


LIFTER ACCESSORIES

LIFTER GUIDES



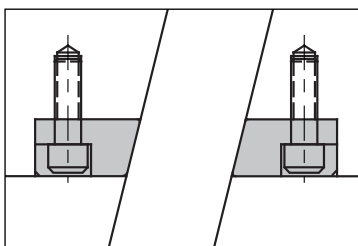
M O-1 **H** 58-60 HRC **S** Black Oxide

▶ CAD insertion point

W +.000 -.001	CATALOG NUMBER			T ±.015	L1	S1 ±.01	S2 ±.01	S3 ±.01	R POCKET RADIUS	Z CHAMFER	SHCS
	A=5°	A=10°	A=15°								
.375	LG37-5	LG37-10	LG37-15	.500	.500	.18	.18	--	.125	.02	#6-32 x 1/2
.500	LG50-5	LG50-10	LG50-15		.750	.25	.25	--			
.750	LG75-5	LG75-10	LG75-15		.37	.187		--			
1.000	LG100-5	LG100-10	LG100-15		.50			.250	--		
1.500	LG150-5	LG150-10	LG150-15		.875	.37	.31	.75	.250	.03	1/4-20 x 3/4

Lifter Guides are sold in sets with Socket Head Cap Screws included.
 LG150 items have 4 screws as shown in the locations below.

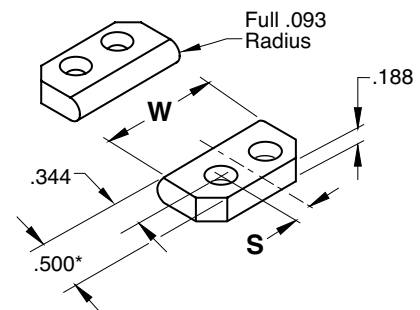
SIZE OF GUIDE	CAN BE USED WITH UNILIFTER CORE BLADE SIZE	MAX BLADE WIDTH (FOR OTHER SYSTEMS)
LG37	37X25 50X25 75X37	.385
LG50	50X50 75X50 100X50 150X50	.510
LG75	150X75	.760
LG100	100x100 150x100	1.010
LG150	50X150 75X150 100X150	1.510



VERSA-LIFTER GUIDES

APPLICATION GUIDELINES

- *Includes .005" fit stock on flat side.
- Sold in sets.
- Four (4) #6-32 LHCS are included.



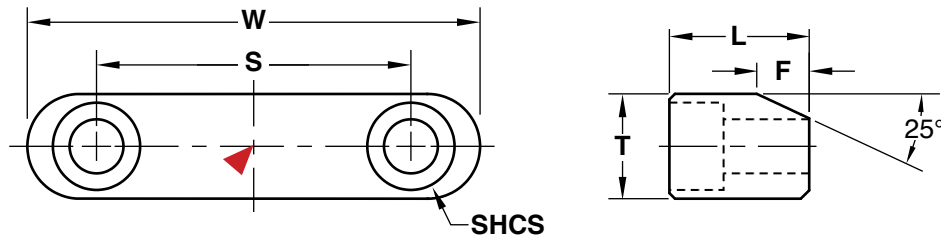
M S-7 **H** 54-56 HRC

CATALOG NUMBER	W	S
SGV43	.436	On Center
SGV62	.624	On Center
SGV87	.874	.187
SGV112	1.124	.312



LIFTER ACCESSORIES

LIFTER HEAD KEY



M 4140 **H** 28-32 HRC

▶ CAD insertion point

CATALOG NUMBER	NOMINAL ROD DIAMETER	W +0.00 -0.01	L ±.005	T +0.000 -0.005	F	S ±.01	SHCS
LHK050	1/2	1.370	.500	.375	.19	.87	#6-32 x 1/2
LHK063	5/8	1.495	.500	.375	.19	1.00	#6-32 x 1/2
LHK075	3/4	1.620	.500	.500	.19	1.12	#8-32 x 1/2
LHK100	1	1.870	.500	.500	.19	1.37	#8-32 x 1/2
LHK125	1-1/4	2.620	.750	.625	.25	2.00	1/4-20 x 7/8
LHK150	1-1/2	2.870	.750	.625	.25	2.25	1/4-20 x 7/8

Screws included.

