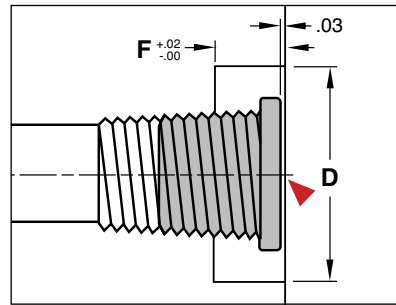
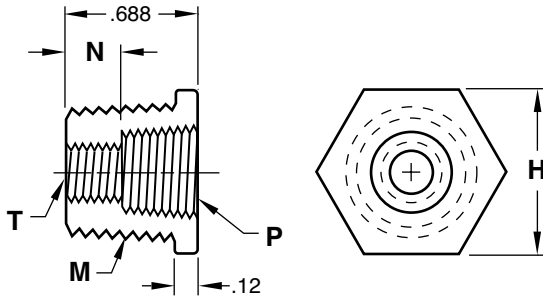




INLET CASCADE™ CASCADE TUBE FITTING

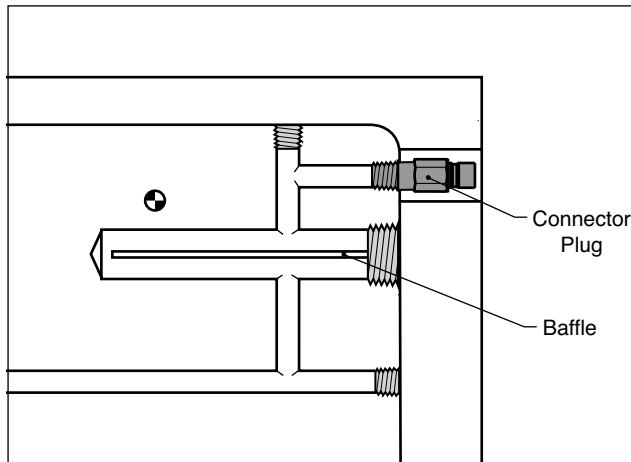


M 303 Stainless Steel **H** 18-22 HRC

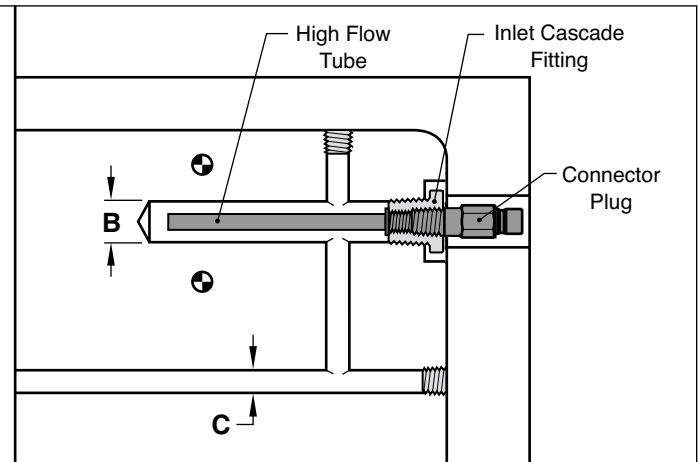
▶ CAD insertion point

| CATALOG NUMBER | M WATERLINE NPT | P NPT | T TUBE THREAD | N | H HEX | D HEX CLEARANCE | F HEX C'BORE | COMPATIBLE HIGH FLOW TUBE | B DIA. | C DIA. | RECOMMENDED CONNECTOR PLUG |
|----------------|-----------------|-------|---------------|-----|-------|-----------------|--------------|---------------------------|--------|--------|----------------------------|
| CF25 | 1/4 | 1/8 | 5/16-24 | .33 | .56 | 1.00 | .430 | HFT250 | 7/16 | 5/16 | 251, 351 |
| CF37 | 3/8 | 1/4 | 3/8-24 | .24 | .68 | 1.12 | .430 | HFT312 | 9/16 | 7/16 | 352 |
| CF50 | 1/2 | 3/8 | 7/16-20 | .24 | .87 | 1.50 | .330 | HFT375 | 11/16 | 9/16 | 553 |

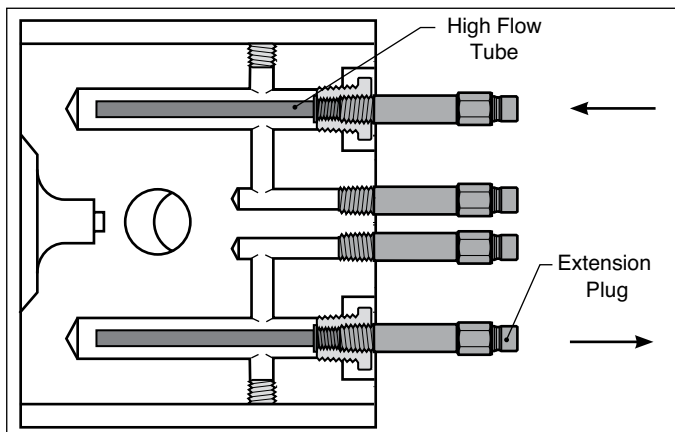
Previous Method



Inlet Cascade Method



Slide Application



APPLICATION GUIDELINES

- The Inlet Cascade Fitting can be used when waterline space is limited, such as under a runner and between ejector pins or to provide a water circuit in a slide.
- The Inlet Cascade Fitting attaches to standard Tubes and Extension or Connector Plugs, eliminating the machining required for an extra "in" line to achieve consistent cooling.