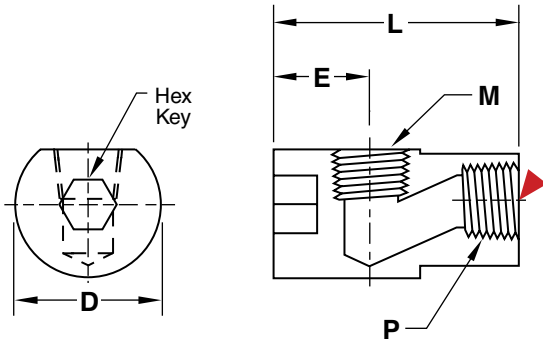




HEX KEY ELBOWS

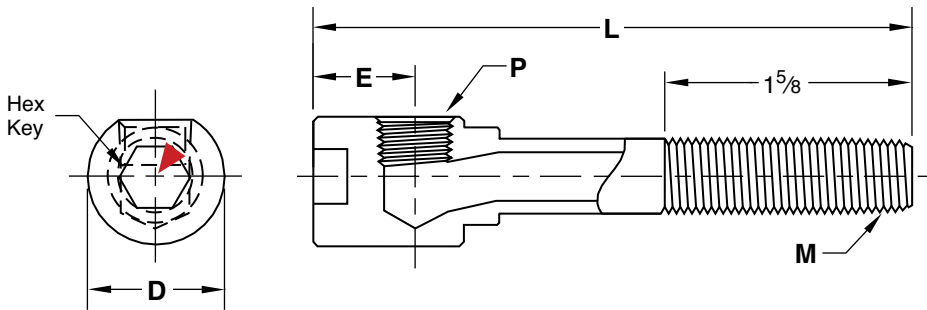


M Brass

▶ CAD insertion point

| CATALOG NUMBER | M NPT | P NPT | HEX KEY | L | D | E |
|----------------|-------|-------|---------|-------|-------|------|
| HK1616 | 1/16 | 1/16 | 1/4 | 1.12 | .552 | .531 |
| HK1818 | 1/8 | 1/8 | 5/16 | 1.25 | .615 | .580 |
| HK1814 | 1/8 | 1/4 | 3/8 | 1.375 | .860 | .593 |
| HK1414 | 1/4 | 1/4 | 3/8 | 1.50 | .860 | .660 |
| HK3838 | 3/8 | 3/8 | 1/2 | 1.75 | .985 | .780 |
| HK1438 | 1/4 | 3/8 | 1/2 | 1.625 | .985 | .712 |
| HK1212 | 1/2 | 1/2 | 1/2 | 2.12 | 1.235 | .940 |

HEX KEY EXTENSION ELBOWS



M Brass

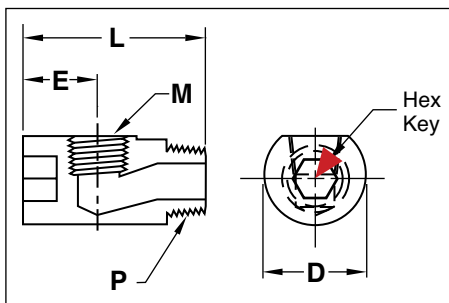
▶ CAD insertion point

To Order:

- Specify Prefix and length.
Ex. HKEE1818L2.5 or HKEE1414L11.5
- Hex Key Extension Elbows can be ordered in any length in any quantity. Specify the catalog prefix with the required length.
Ex. HKEE1414L3.75

| CATALOG NUMBER | M PIPE NPT | P NPT | HEX KEY | D | E | Available Overall Lengths (L) | | | | | | | |
|----------------|------------|-------|---------|-------|------|-------------------------------|---|-----|---|-----|----|------|----|
| | | | | | | 2.5 | 4 | 5.5 | 7 | 8.5 | 10 | 11.5 | 13 |
| HKEE1616 | 1/16 | 1/16 | 1/4 | .552 | .531 | • | • | • | • | • | • | • | • |
| HKEE1818 | 1/8 | 1/8 | 5/16 | .615 | .580 | • | • | • | • | • | • | • | • |
| HKEE1414 | 1/4 | 1/4 | 3/8 | .860 | .660 | • | • | • | • | • | • | • | • |
| HKEE3838 | 3/8 | 3/8 | 1/2 | .985 | .780 | • | • | • | • | • | • | • | • |
| HKEE1212 | 1/2 | 1/2 | 1/2 | 1.235 | .940 | • | • | • | • | • | • | • | • |

HEX KEY STREET ELBOWS



M Brass

▶ CAD insertion point

| CATALOG NUMBER | M NPT | P NPT | HEX KEY | L | D | E |
|----------------|-------|-------|---------|-------|-------|------|
| HKL1616 | 1/16 | 1/16 | 1/4 | 1.156 | .552 | .531 |
| HKL1618 | 1/16 | 1/8 | 5/16 | 1.218 | .615 | .531 |
| HKL1818 | 1/8 | 1/8 | 5/16 | 1.312 | .615 | .580 |
| HKL1814 | 1/8 | 1/4 | 3/8 | 1.500 | .860 | .593 |
| HKL1414 | 1/4 | 1/4 | 3/8 | 1.625 | .860 | .660 |
| HKL1438 | 1/4 | 3/8 | 1/2 | 1.625 | .985 | .712 |
| HKL3838 | 3/8 | 3/8 | 1/2 | 1.750 | .985 | .780 |
| HKL1212 | 1/2 | 1/2 | 1/2 | 2.250 | 1.235 | .940 |

