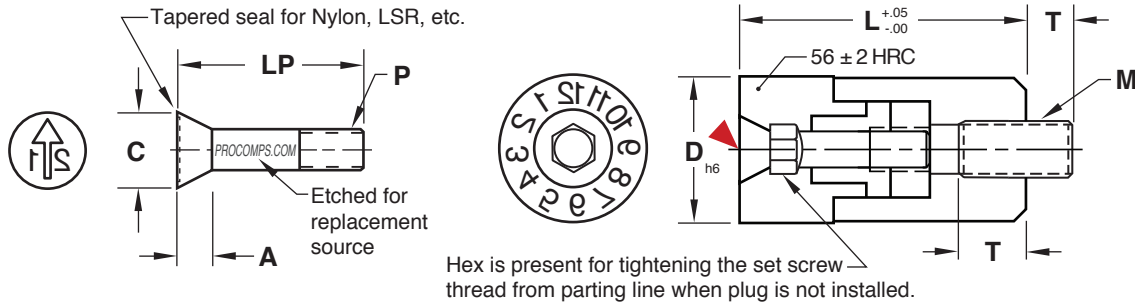




DATE STAMPS TAPERED SERIES



PLUGS



M 420 Stainless (1.4034) **H** 54-58 HRC

CATALOG NUMBER	C	A	LP	P	Engraving Depth (Arrow)
DTPRP04-21	2.5	2.3	10.5	M1.4 x 0.2	.30
DTPRP05-21	3.1	2.8	13.0	M1.6 x 0.2	.40
DTPRP06-21	3.1	2.8	13.0	M1.6 x 0.2	.40
DTPRP08-21	4.6	4.0	14.0	M2.5 x 0.35	.60
DTPRP10-21	4.6	4.0	14.0	M2.5 x 0.35	.60
DTPRP12-21	6.4	4.0	17.0	M3 x 0.5	.60
DTPRP16-21	8.4	5.0	23.0	M3.5 x 0.6	.60
DTPRP20-21	11	6.5	23.0	M3.5 x 0.6	.60

RINGS



CATALOG NUMBER	D	L	M	T	Engraving Depth
DTPR04	4	14	M2 x 0.4	3	.15
DTPR05	5	17	M3 x 0.5	3	.20
DTPR06	6	17	M3 x 0.5	3	.20
DTPR08	8	20	M4 x 0.7	4	.30
DTPR10	10	20	M5 x 0.8	4	.30
DTPR12	12	25	M6 x 1.0	6	.30
DTPR16	16	33	M8 x 1.25	8	.30
DTPR20	20	33	M8 x 1.25	8	.30

Additional Plug and Ring Options: Specify catalog number as shown below for the different style plugs and rings. ▶ CAD insertion point

Plug Styles: Recessed Lettering

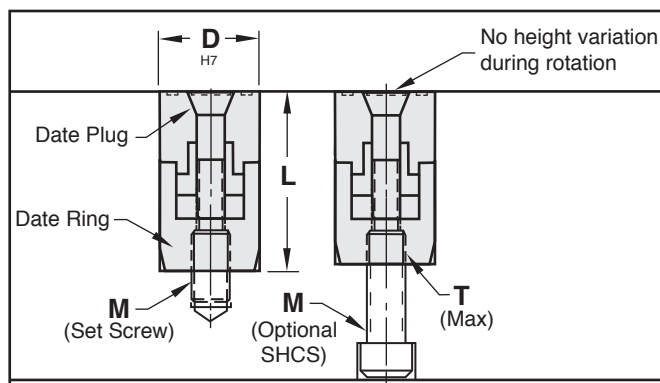
- Arrow Only**
Cat #: DTPRP-Diam-AO
Ex.: DTPRP05-AO
- C**
Cat #: DTPRP-Diam-C
Ex.: DTPRP05-C

Ring Styles: Recessed Lettering

- 0 - 9**
Cat #: DTPRN-Diam
Ex.: DTPRN05
- A - M**
Cat #: DTPRA-Diam
Ex.: DTPRA05
- 0 - 30**
Cat #: DTPRT-Diam
Ex.: DTPRT05
- N - Z**
Cat #: DTPRZ-Diam
Ex.: DTPRZ05

Installation Guidelines:

Ring can be installed using the included set screw or retained with a screw from the back.



Maximum mold temperature: 450° F (230° C)

- Blank**
Cat #: DTPR-Diam-B
Ex.: DTPR05-B
- Years**
Cat #: DTPRY-Diam-Starting Year*
Ex.: DTPRY05-21

*Where years are specified, any year can be ordered by changing the suffix. Example DTPRP05-22 or DTPRY05-23.

To create Date Stamps for days, purchase both the 0-30 ring (DTPRT) and the 0-9 ring (DTPRN) and the desired plugs.

Special configurations are available.
Contact Customer Service for more information.