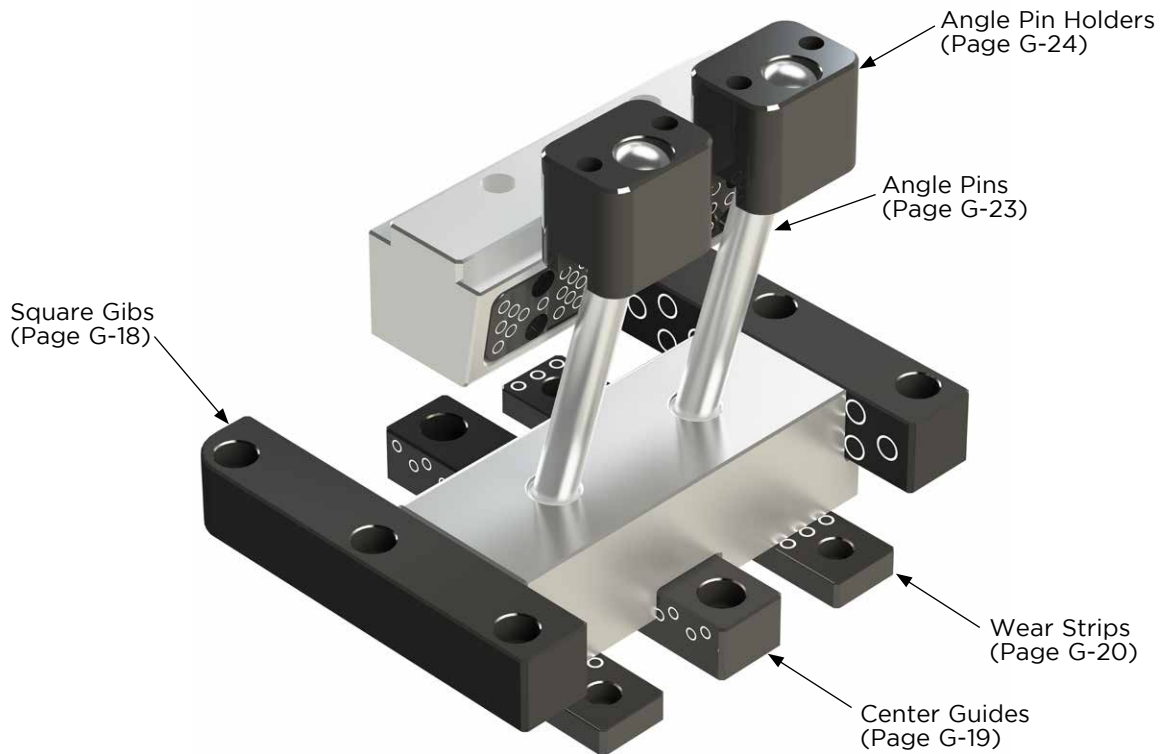




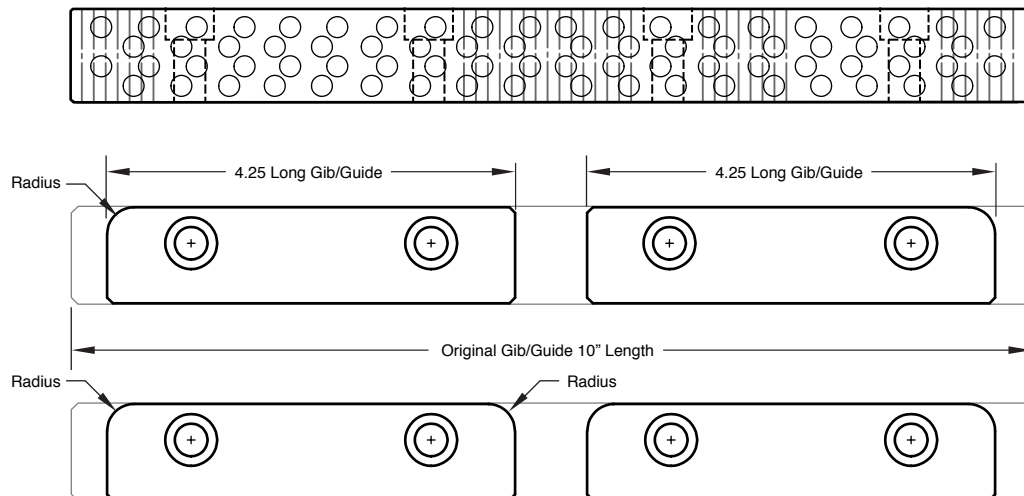
## SIDE ACTION COMPONENTRY OVERVIEW

Progressive's Square Gibs, Center Guides, and Wear Strips are designed to be modified to suit the mold design, providing a range of lengths from 2" to 13.5" long. In addition, Angle Pins and Angle Pin Holders allow for removal from parting line.



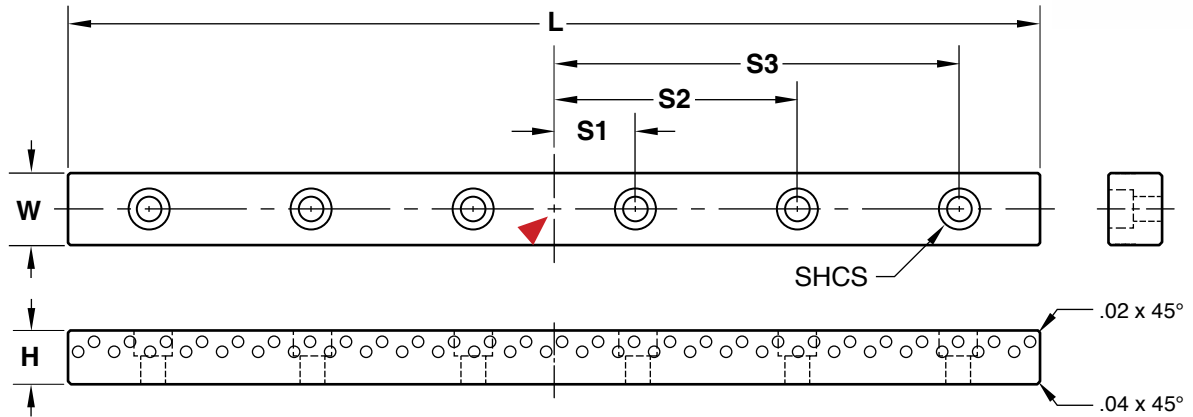
### APPLICATION GUIDELINES

- On the Gibs, Guides, and Wear Strips, the tool maker can cut off one or both ends of the products or create two symmetrical parts.
- Vertical lines in the image below identify the 1/4" increments where the Square Gib can be cut as an example, and this method can be applied to the Center Guides and Wear Strips. Corner radii can also be added by the tool maker.
- Mold-Ready Options: Progressive can provide the Center Guides and Square Gibs cut-to-length with or without corner radii. Refer to the individual pages to follow for information on how to order.





# CENTER GUIDES



**M** H-13 **H** Core: 42-48 HRC, Surface: 70 HRC **S** Black Nitride ▶ CAD insertion point

CATALOG NUMBER	W +.0000 -.0005	H +.000 -.005	L ±.005	NUMBER OF SCREW HOLES	S1 ±.01	S2 ±.01	S3 ±.01	SHCS
<b>CG50X62L6</b>	.4998	.620	6.00	4	.75	2.25	—	#8-32 x 3/4
<b>CG50X62L10.5</b>			10.50	6	.88	2.63	4.38	
<b>CG75X62L10</b>	.7498	.620	10.00	4	1.25	3.75	—	1/4-20 x 3/4
<b>CG75X62L13.5</b>			13.50	6	1.13	3.38	5.63	
<b>CG100X75L10</b>	.9998	.745	10.00	4	1.25	3.75	—	5/16-18 x 7/8
<b>CG100X75L13.5</b>			13.50	6	1.13	3.38	5.63	

Screws included.

## MOLD-READY GUIDES

**To Order:**

Start with the prefix and the size from above. Example: CG50X62

- For Guides with no radii and cut-to-length, specify the length (CTL). Example: CG50X62L4.25
- For 2 corner radii as shown below left, specify the length followed by the 2R designation and then the required pocket radius. (The actual radius will be larger for clearance.) Example: CG50X62L4.25-2R.312
- For 4 corner radii as shown below right, specify the length followed by the 4R designation and then the required pocket radius. (The actual radii will be the same and will be larger for clearance.) Example: CG50X62L4.25-4R.312
- Submit the item number and quantity to Customer Service for a quotation.

Note: Screw sizes and locations will be the same as the standard Guides. Any specifications outside of the modifications above can be quoted made-to-order by contacting [tech@procomps.com](mailto:tech@procomps.com).

