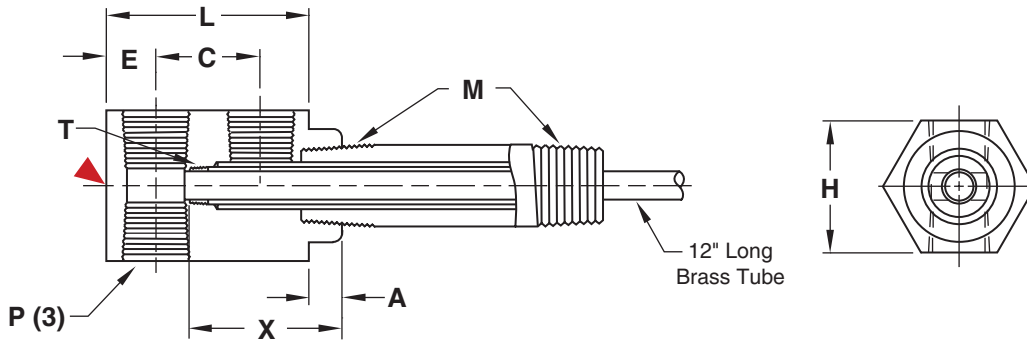
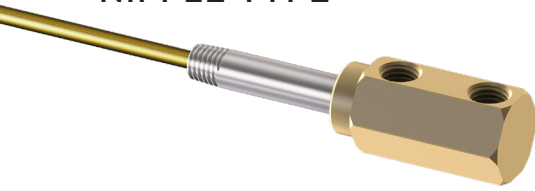


**CASCADES**  
NIPPLE TYPE



**M** Head: Brass, Tube: Brass, 2" Long Pipe Nipple: Stainless Steel

▶ CAD insertion point

| CATALOG NUMBER | M<br>PIPE<br>NPT | P<br>IN/OUT<br>NPT | H    | E   | C    | A   | L     | T       | BRASS TUBE<br>CATALOG #<br>(INCLUDED) | X<br>TUBE<br>END | HEAD ONLY<br>CATALOG<br>NUMBER |
|----------------|------------------|--------------------|------|-----|------|-----|-------|---------|---------------------------------------|------------------|--------------------------------|
| NC1816         | 1/8              | 1/16               | .75  | .21 | .50  | .28 | .937  | #10-32  | T187L12                               | .90              | NCH1816                        |
| NC1818         | 1/8              | 1/8                | .87  | .32 | .68  | .28 | 1.343 | #10-32  | T187L12                               | 1.06             | NCH1818                        |
| NC18181        | 1/8              | 1/8                | .87  | .32 | 1.00 | .28 | 1.656 | #10-32  | T187L12                               | 1.18             | NCH18181                       |
| NC1418         | 1/4              | 1/8                | 1.00 | .32 | .68  | .21 | 1.343 | 1/4-28  | T250L12                               | 1.05             | NCH1418                        |
| NC1414         | 1/4              | 1/4                | 1.00 | .32 | .68  | .21 | 1.343 | 1/4-28  | T250L12                               | 1.08             | NCH1414                        |
| NC14181        | 1/4              | 1/8                | 1.00 | .32 | 1.00 | .43 | 1.656 | 1/4-28  | T250L12                               | 1.44             | NCH14181                       |
| NC14141        | 1/4              | 1/4                | 1.00 | .32 | 1.00 | .43 | 1.656 | 1/4-28  | T250L12                               | 1.44             | NCH14141                       |
| NC3818         | 3/8              | 1/8                | 1.00 | .34 | 1.00 | .40 | 1.687 | 5/16-24 | T312L12                               | 1.44             | NCH3818                        |
| NC3814         | 3/8              | 1/4                | 1.00 | .34 | 1.00 | .40 | 1.687 | 5/16-24 | T312L12                               | 1.44             | NCH3814                        |
| NC1214         | 1/2              | 1/4                | 1.25 | .40 | 1.00 | .56 | 1.812 | 7/16-20 | T437L12                               | 1.80             | NCH1214                        |
| NC3438         | 3/4              | 3/8                | 1.50 | .50 | 1.25 | .75 | 2.250 | 5/8-18  | T625L12                               | 2.20             | NCH3438                        |

Brass pipe plug included.

**ALTERNATIVE CONFIGURATIONS AVAILABLE**

- Cascade Heads are available with thread sizes to accept High Flow Tubes. To order, specify -HFT at the end of the catalog number for Cascade assemblies or for Heads only. Ex. NC1818-HFT or NCH1818-HFT.
- Cascade heads are available manufactured from stainless steel. To order, add "-SS" to the end of the catalog number for Cascade assemblies or for Heads only. Ex. NC1818-SS or NCH1818-SS
- These Cascades can also be used with Adjustable Hex Nipples instead of Pipe Nipples. Refer to page E-28 for available sizes and lengths.
- For complete Tube specifications, refer to page E-16.