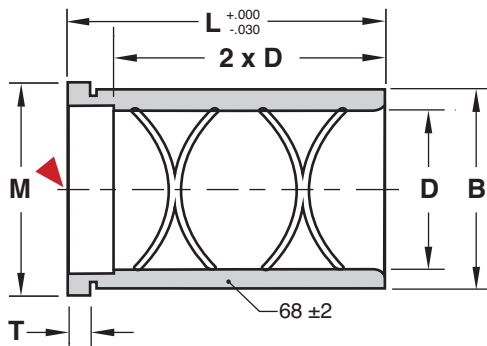
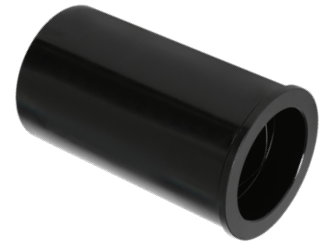




BUSHINGS

INCH STANDARD SHOULDER STYLE-BLACK NITRIDE

Progressive's Black Nitride Bushings are proven to provide improved performance in greaseless, medical, and die cast environments.



General Dimensions

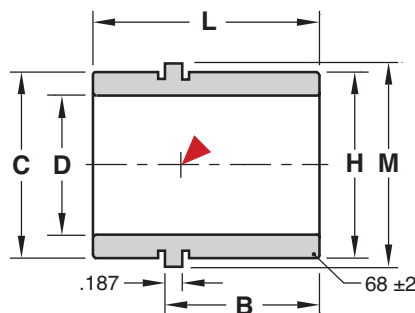
Nominal Diameter	D +.0005 -.0000	B +.0005 -.0000	M +.00 -.01	T +.00 -.01
1	1.0005	1.3755	1.552	.187
1-1/4	1.2505	1.6255	1.802	.187
1-1/2	1.5005	2.0005	2.177	.187
2	2.0005	2.5005	2.677	.187
2-1/2	2.5005	3.2505	3.427	.187
3	3.0005	3.7505	3.990	.500

▶ CAD insertion point

M AISI 1117 **H** Surface: 66-70 HRC **S** Black Nitride

L	D=1"	D=1-1/4"	D=1-1/2"	D=2"	D=2-1/2"	D=3"
4-7/8	STL100L4.87-BN	STL125L4.87-BN	STL150L4.87-BN	STL200L4.87-BN	STL250L4.87-BN	STL300L4.87-BN
5-7/8	STL100L5.87-BN	STL125L5.87-BN	STL150L5.87-BN	STL200L5.87-BN	STL250L5.87-BN	STL300L5.87-BN
7-7/8	—	—	—	—	—	STL300L7.87-BN

INCH STANDARD GUIDED EJECTOR-BLACK NITRIDE



M AISI 1117 **H** Surface: 66-70 HRC **S** Black Nitride

CATALOG NUMBER	Nominal Diameter	D +.0005 -.0000	H +.0005 -.0000	C +.000 -.001	M +.00 -.01	B	L +.00 -.03
GEB50-BN	1/2	.5005	.7505	.7490	.853	1.00	1.50
GEB75-BN	3/4	.7505	1.1255	1.1240	1.302	1.00	1.50
GEB87-BN	7/8	.8755	1.2505	1.2490	1.427	1.00	1.50
GEB100-BN	1	1.0005	1.3755	1.3740	1.552	1.12	1.75
GEB125-BN	1-1/4	1.2505	1.6255	1.6240	1.802	1.12	1.75
GEB150-BN	1-1/2	1.5005	2.0005	1.9990	2.177	1.12	1.75
GEB200-BN	2	2.0005	2.5005	2.4990	2.687	1.62	2.25