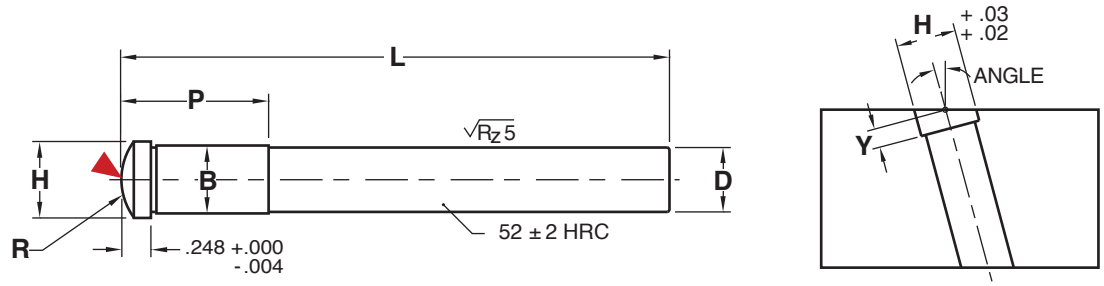
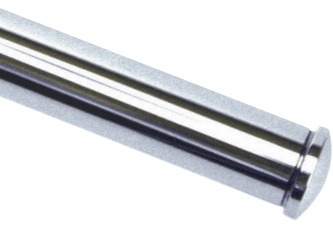


ANGLE PINS



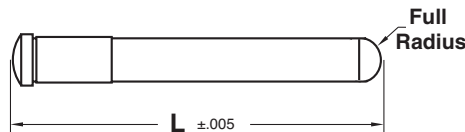
M 8620 **H** Surface: 50-54 HRC

CAD insertion point

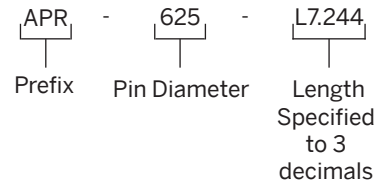
Nominal Diameter	CATALOG NUMBER	D +0.000 -0.005	L +0.125 -0.000	B +0.0005 -0.0000	H +0.000 -0.010	R Head Radius	P Press Fit Length	Angle	Y Depth
3/8	AP375L6	.374	6	.376	.500	.375	.87	10°	.258
	AP375L10		10				1.37	15°	.265
			20°				.276		
1/2	AP500L6	.499	6	.501	.625	.500	.87	10°	.260
	AP500L10		10				1.37	15°	.270
			20°				.284		
5/8	AP625L6	.624	6	.626	.750	.625	.87	10°	.262
	AP625L10		10				1.37	15°	.274
			20°				.292		
3/4	AP750L10	.749	10	.751	.875	.750	1.37	10°	.264
	AP750L14		14					15°	.278
			20°					.300	
								25°	.329

Alternative configurations available:

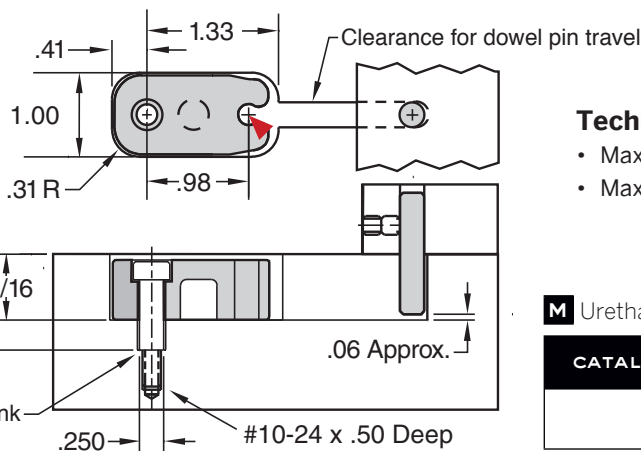
- Full radius option can be ordered by specifying the APR prefix as outlined at right. Example: APR500L6.500 (no dashes/spaces) is an Angle Pin with a 1/2" diameter machined to 6.5" long with a full radius. P will be 1.37" per table above.



Angle Pins Special Order



URETHANE RETAINERS



Technical Details

- Maximum slide weight for retainer weight: 25 lbs.
- Maximum operating temperature is 150° F (65° C).

M Urethane

CAD insertion point

CATALOG NUMBER	DESCRIPTION
RET-1	Retainer, 1/4 x 3/4" Shoulder Bolt, 1/4ø x 1-1/4" Dowel Pin