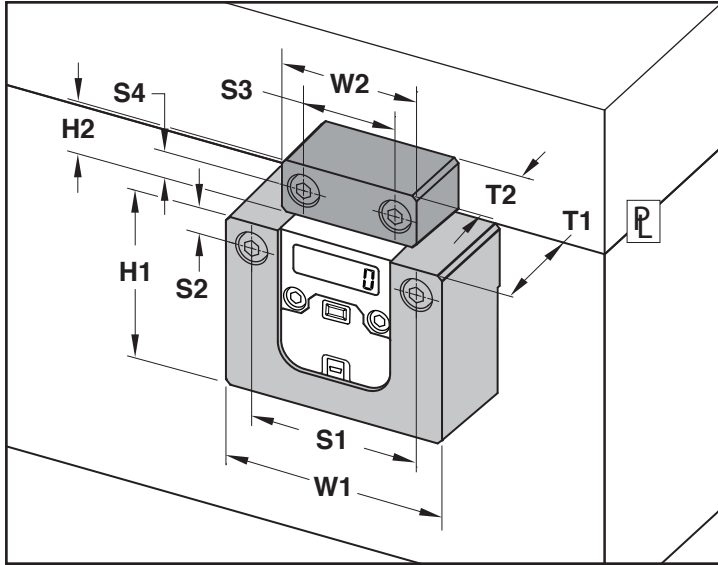




# INSULATOR BLOCK ASSEMBLY

Progressive's Insulator Block protects the CounterView and CVe Monitor to enable molders to view cycle counts and additional information on higher temperature tools.

- Maximum temperature: 180°C/360°F



| CATALOG NUMBER  | DESCRIPTION  | H1   | W1   | T1   | S1    | S2   | H2  | W2   | T2   | S3    | S4   |
|-----------------|--|------|------|------|-------|------|-----|------|------|-------|------|
| <b>CV-BLK</b>   | Inch version with screws:<br>(2) 1/4-20 x 1-1/8 (Actuator)<br>(2) 1/4-20 x 1-1/2 (Block) | 2.37 | 3.00 | 1.37 | 2.250 | .500 | .75 | 2.00 | 1.00 | 1.000 | .375 |
| <b>CVMM-BLK</b> | Metric version with screws:<br>(2) M6-1.0 x 30 (Actuator)<br>(2) M6-1.0 x 40 (Block)     | 58.5 | 78   | 35   | 58    | 13   | 20  | 47   | 25   | 23    | 10   |

### Application Guidelines:

- Installation can be on the cavity or core half of the tool. For use with CVe Live, mount to the stationary half for optimum cable routing.
- Position the Insulator Blocks at parting line and install screws as shown above.
- The Inch or Metric Insulator Block assembly accepts the screws from the square CounterView sold on page F-6 or the CVe Monitor sold on page F-1.

