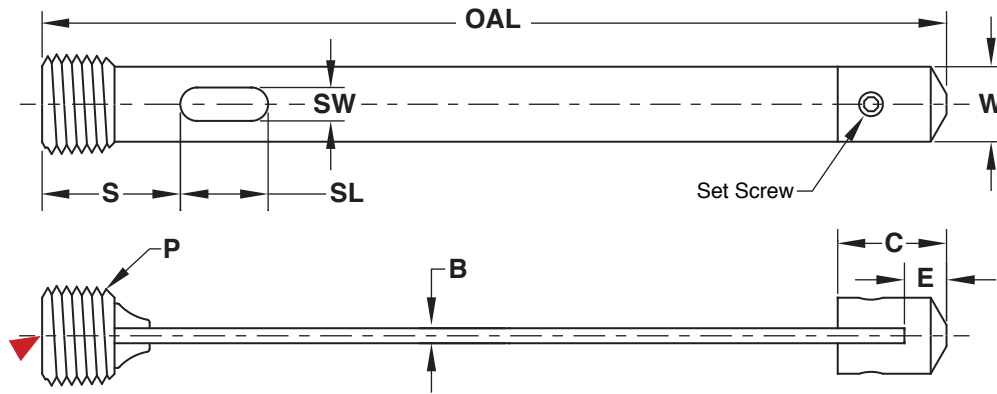




REVERSE FLOW BAFFLES

Reverse Flow Baffles enables the feed line to a baffle to be located opposite the plug end of the baffle to avoid interfering with bushing holes, return pin holes, etc.

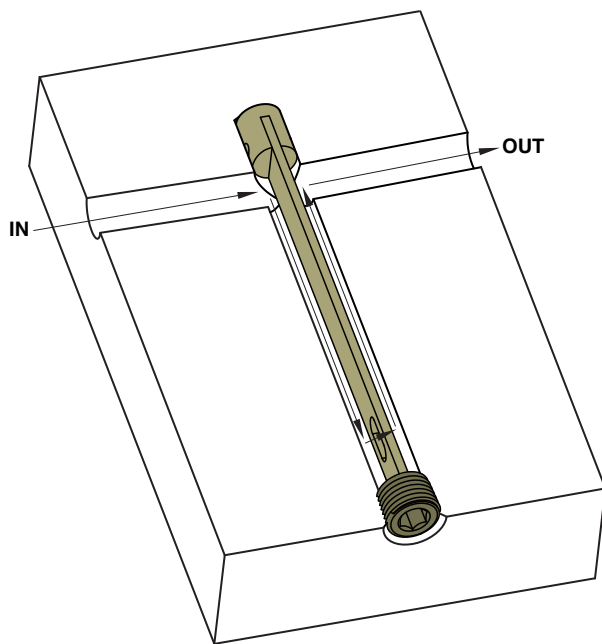
- Provides an alternative to circuits with long cross plate gun drilled lines and placement of in-line diverters, simplifying design, machining, and waterline cleaning.



M Brass

▶ CAD insertion point

CATALOG NUMBER	P Pipe Plug Size (NPT)	OAL (REF)	B	W -.005 -.010	S	SL	SW	C	E	Set Screw Size (2)
RFB06L8	1/16	8.16	.057	.250	.44	.18	.13	.38	.16	#4-40 x 3/32"
RFB12L8	1/8	8.23	.057	.312	.44	.22	.16	.50	.23	#4-40 x 3/32"
RFB25L10	1/4	10.25	.085	.437	.62	.35	.19	.62	.25	#8-32 x 1/8"
RFB37L12	3/8	12.28	.093	.562	.62	.41	.28	.75	.28	#10-32 x 3/16"
RFB50L16	1/2	16.28	.093	.687	.75	.50	.31	.75	.28	1/4-20 x 3/16"
RFB75L20	3/4	20.38	.093	.937	.75	.77	.44	.87	.38	1/4-20 x 3/8"
RFB100L24	1	24.38	.093	1.125	.87	1.00	.50	.87	.38	1/4-20 x 3/8"
RFB125L24	1-1/4	24.50	.093	1.484	1.35	1.22	.50	1.00	.50	1/4-20 x 1/2"



Installation Guidelines:

1. Install the Reverse Flow Baffle into the waterline and measure the distance the Baffle extends out of the plate, "M" as shown below.
2. Remove the Reverse Flow Plug and cut the measured length from the end of the Baffle including any recess required.
3. Re-attach the Reverse Flow Plug to the Baffle using the two set screws.
4. Install the assembly into the waterline, ensuring a tight seal and proper orientation.

