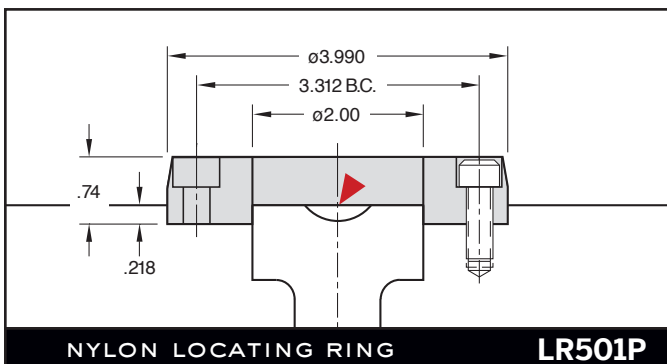
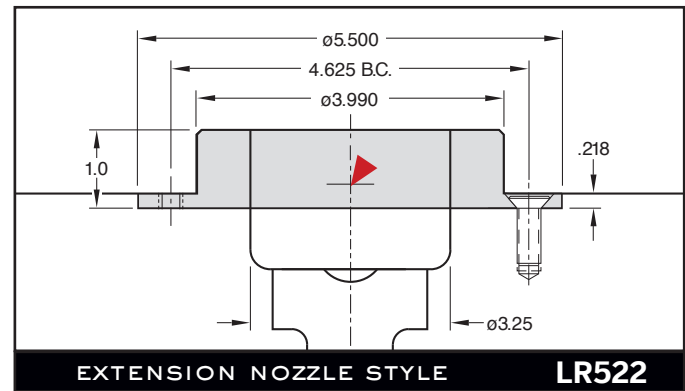
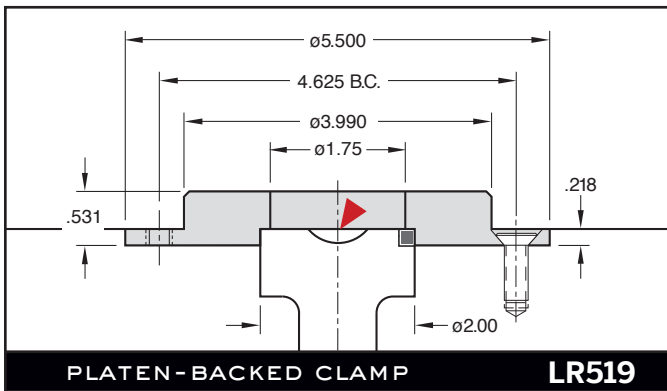
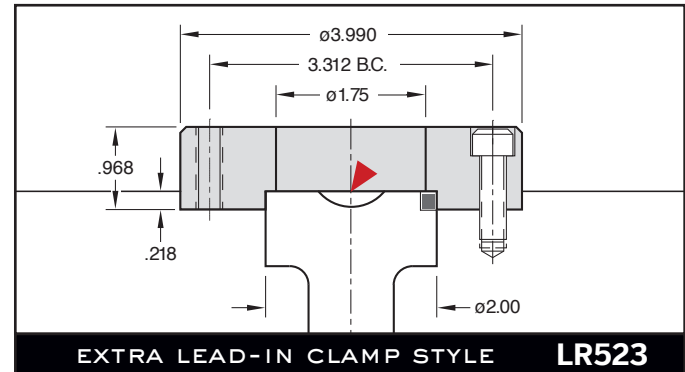
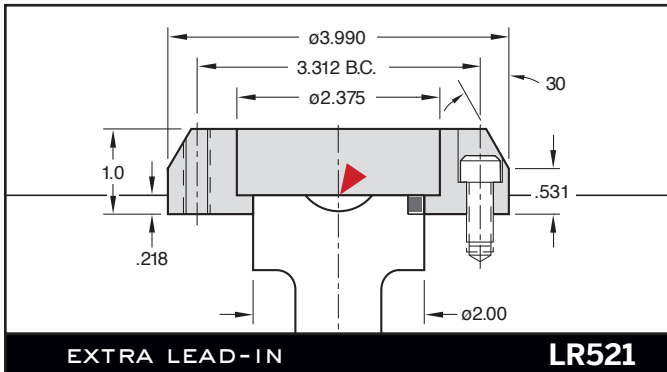
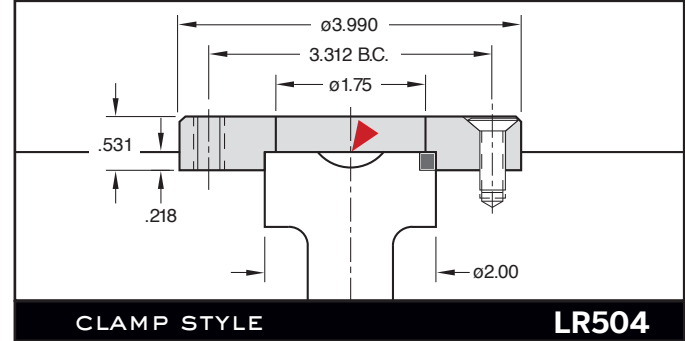
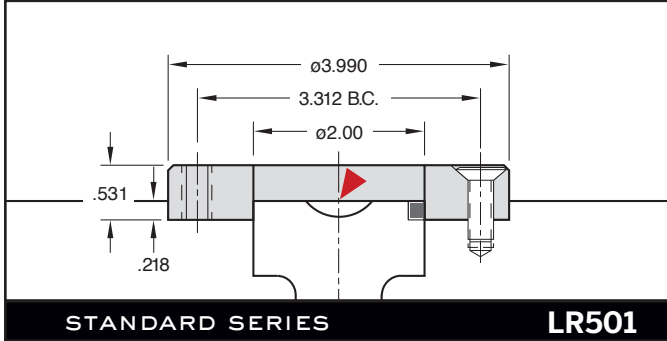


LOCATING RINGS



M AISI 12L14 **H** 170 Brinell **S** Black Oxide

5/16-18 screws and 3/16" x 2" long dowel pin included.



CAD insertion point

Material: 100% recycled reinforced Nylon
 Maximum temperature: 380 °F (190 °C)
 Compatible with LR501.
 5/16-18 screws included.

Patented design by G.A.I.M. Engineering.